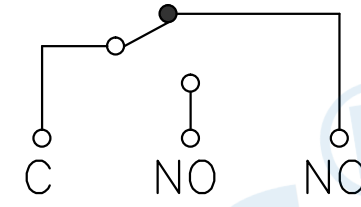
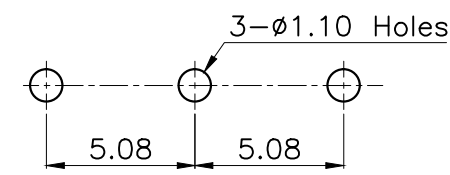
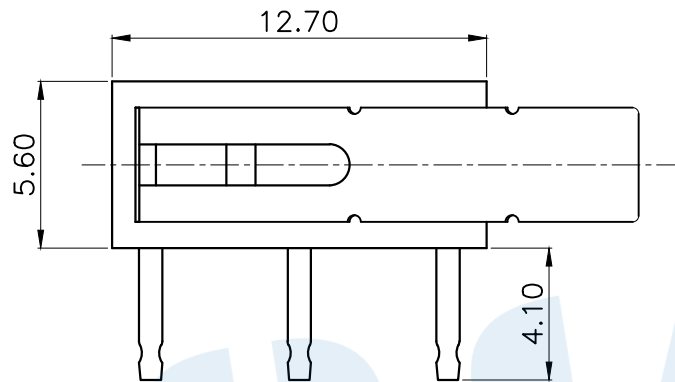
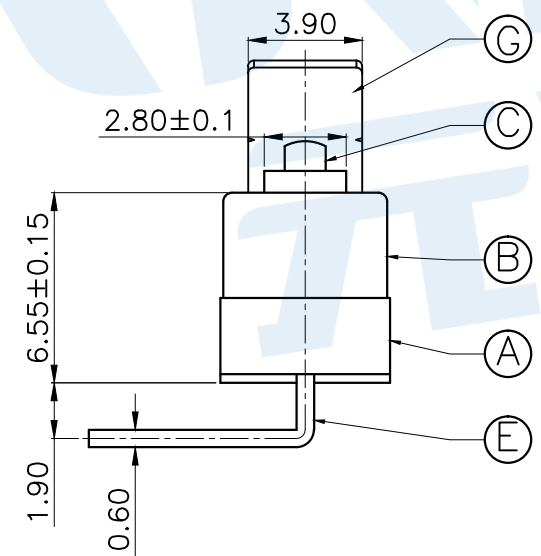
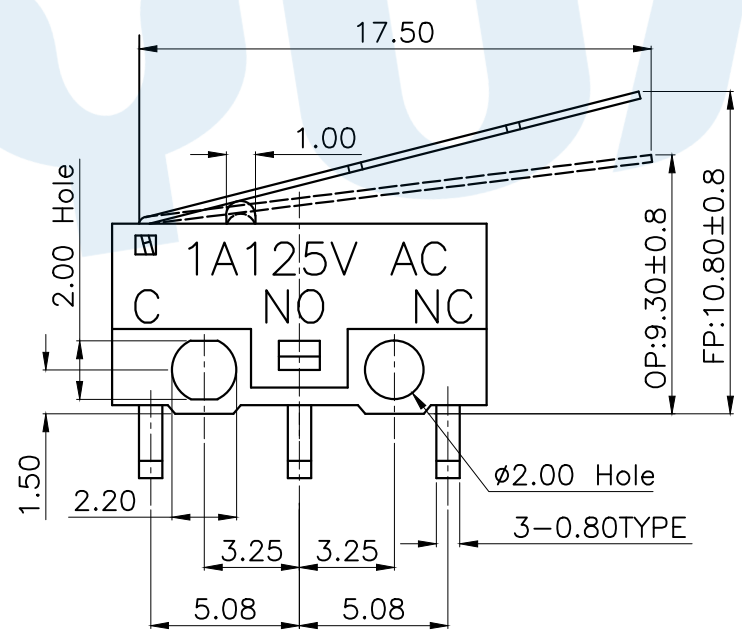


RoHS



PCB Layout (Pattern side)

Circuit Diagram



Operating force	
30 ± 15gf	

Contact material	
CODE	MATERIAL
T	Copper dot
Y	Silver dot

Ⓒ	Pressure handle	1	SUS		
Ⓕ	Contact	1	Silver/copper dot		
Ⓔ	Terminal	3	Brass	Silver	
Ⓓ	Contact reed	1	Brass		
Ⓒ	Handle	1	POM	White	
Ⓑ	Cover	1	PBT	Black	
Ⓐ	Base	1	PBT	White	
NO.	Name	Number	Qty	Material	Remarks

YUANDI® Yuandi Electronics Co., Ltd

design	date	name	MICRO SWITCH
Review	date	model	TC-5610D5-□
Approved	date		

Drawing number: Proportion 1:1 unit mm gage number A4

angle	±2'		
10~30	±0.30		
5~10	±0.20		
~ 5	±0.10		
modify	Review	Approved	Tolerance not specified