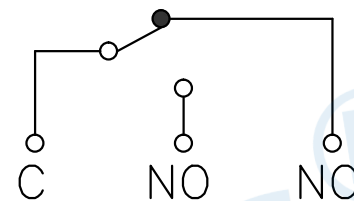
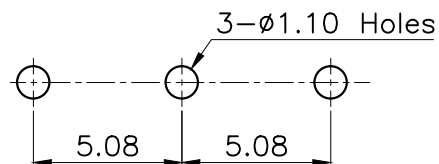
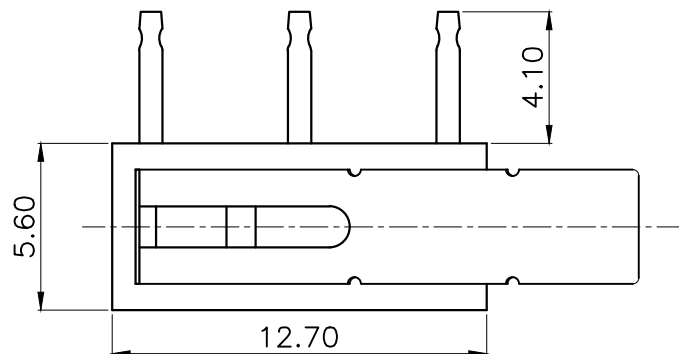
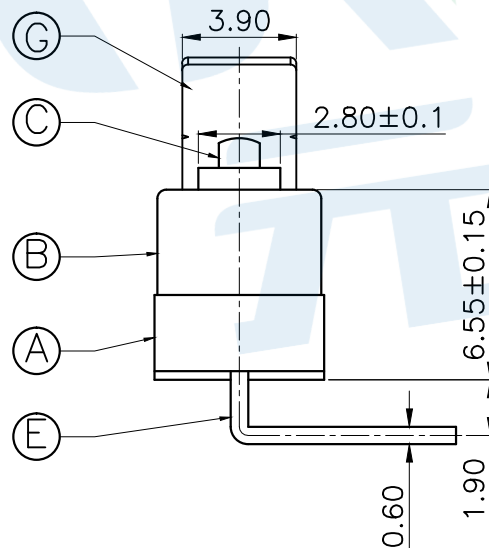
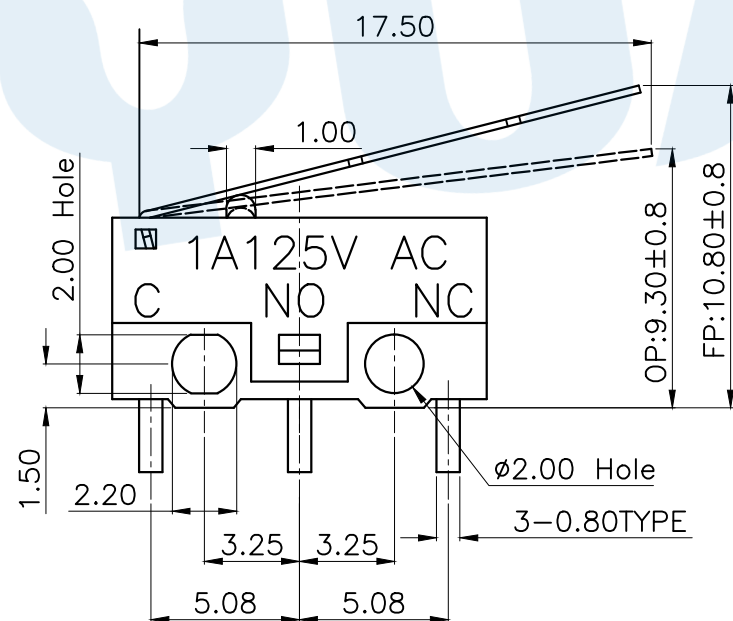


RoHS



PCB Layout(Pattern side)

Circuit Diagram



Operating force
30±15gf

Contact material	
CODE	MATERIAL
T	Copper dot
Y	Silver dot

NO.	Name	Number	Qty	Materil	Remarks
Ⓒ	Pressure handle	1	1	SUS	
Ⓕ	Contact	1	1	Silver/copper dot	
Ⓔ	Terminal	3	3	Brass	Silver
Ⓓ	Contact reed	1	1	Brass	
Ⓒ	Handle	1	1	POM	White
Ⓑ	Cover	1	1	PBT	Black
Ⓐ	Base	1	1	PBT	White

YUANDI® Yuandi Electronics Co, Ltd

design	date	name
Review	date	MICRO SWITCH
Approved	date	model

Drawing number: TC-5610D6-□

modify Review Approved Tolerance not specified Proportion 1:1 unit mm gage number A4