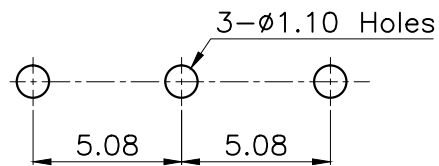
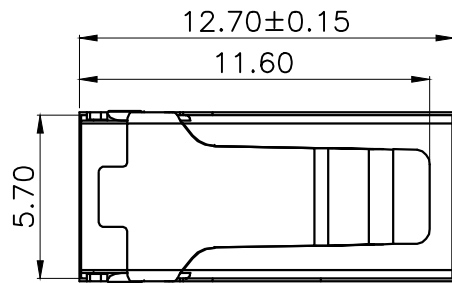
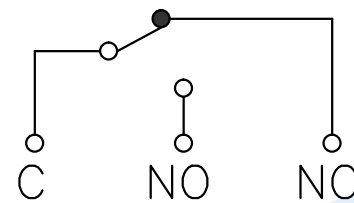


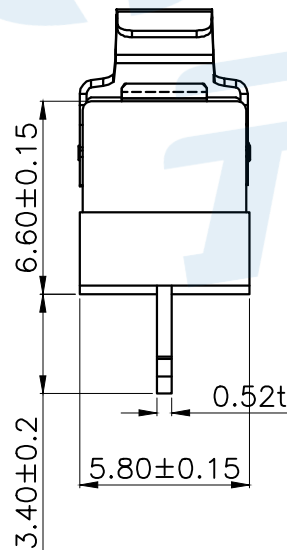
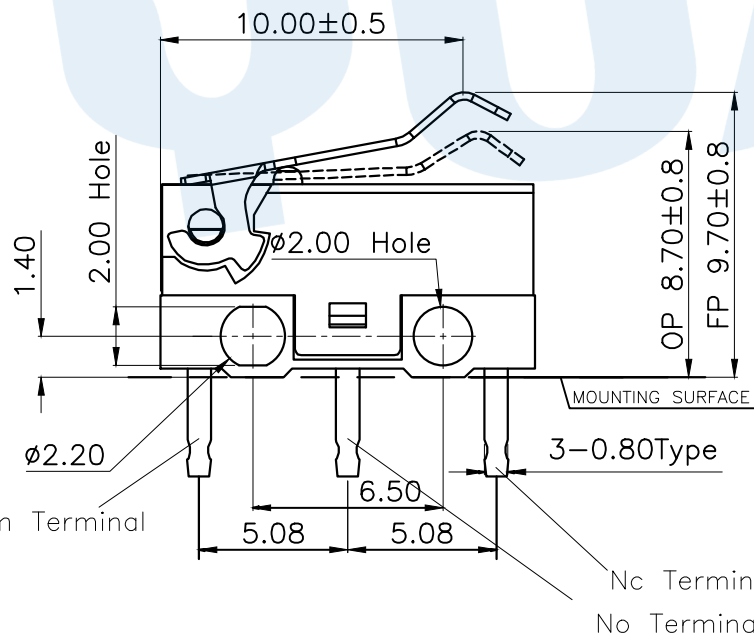
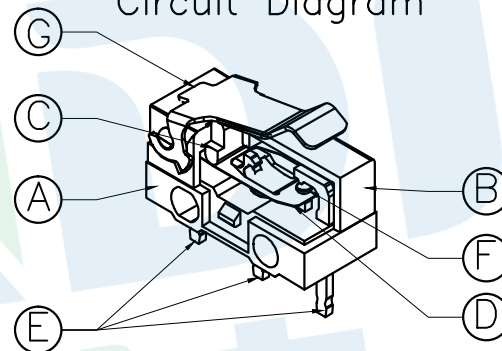
RoHS



PCB Layout(Pattern side)



Circuit Diagram



Operating force  
30±15gf

Contact material	
CODE	MATERIAL
Y	Silver dot

Ⓒ	Pressure handle	1	SUS		
Ⓕ	Contact	1	Silver dot		
Ⓔ	Terminal	3	Brass	Silver	
Ⓖ	Contact reed	1	Brass		
Ⓒ	Handle	1	POM	Green	
Ⓑ	Cover	1	PBT	Black	
Ⓐ	Base	1	PBT	White	
NO.	Name	Number	Qty	Materil	Remarks

**YUANDI**® Yuandi Electronics Co, Ltd

design	date	name	MICRO SWITCH
Review	date	model	TC-5610E-□
Approved	date		

Drawing number: Proportion 1:1 unit mm gage number A4

modify Review Approved Tolerance not specified