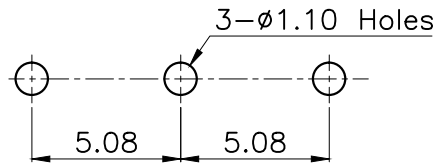
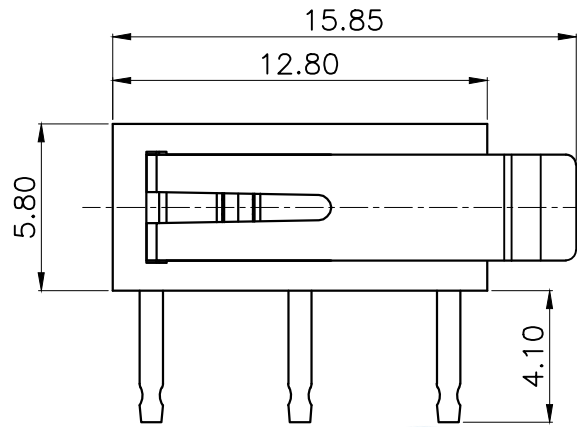
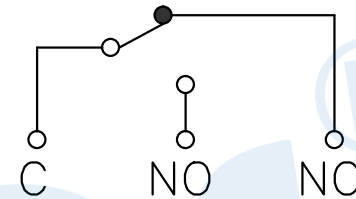


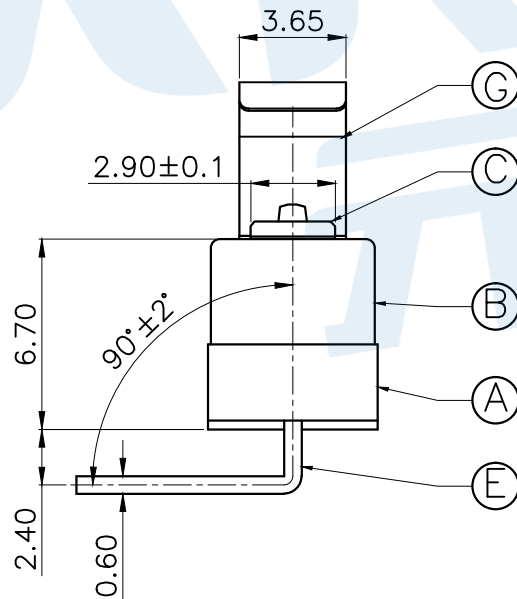
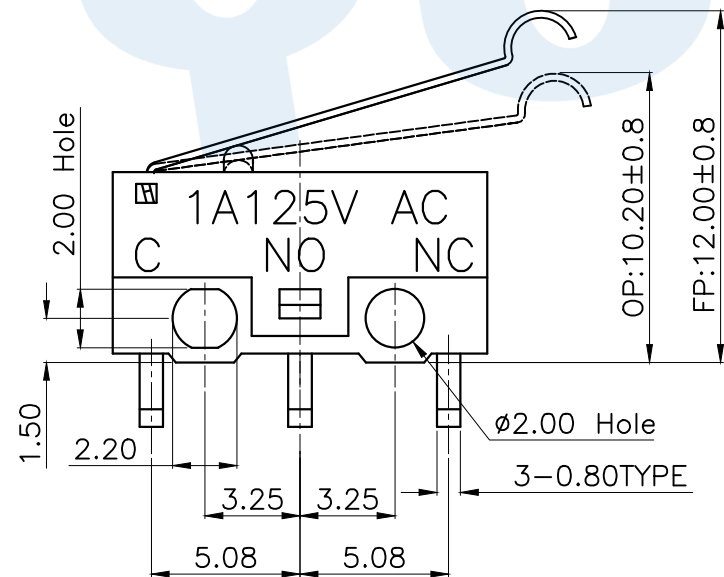
RoHS



PCB Layout (Pattern side)



Circuit Diagram



Operating force	
30 ± 15gf	

Contact material	
CODE	MATERIAL
T	Copper dot
Y	Silver dot

①	Pressure handle	1	SUS		
②	Contact	1	Silver/copper dot		
③	Terminal	3	Brass	Silver	
④	Contact reed	1	Brass		
⑤	Handle	1	POM	White	
⑥	Cover	1	PBT	Black	
⑦	Base	1	PBT	White	
NO.	Name	Number	Qty	Material	Remarks

YUANDI® Yuandi Electronics Co., Ltd

design	date	name	MICRO SWITCH
Review	date	model	TC-5610H-□
Approved	date		