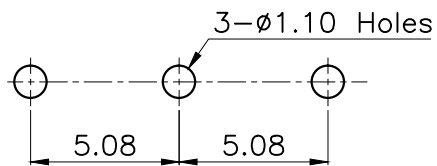
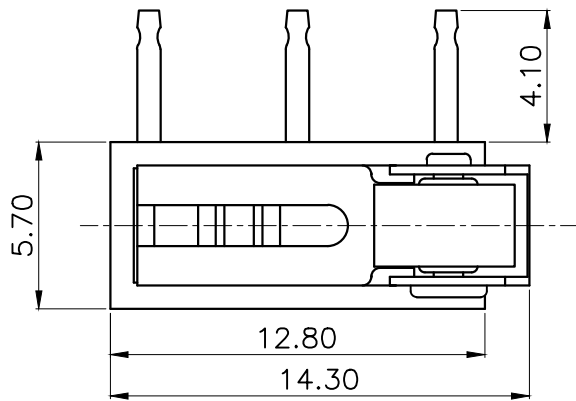
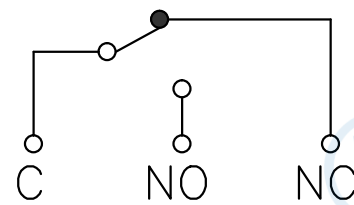


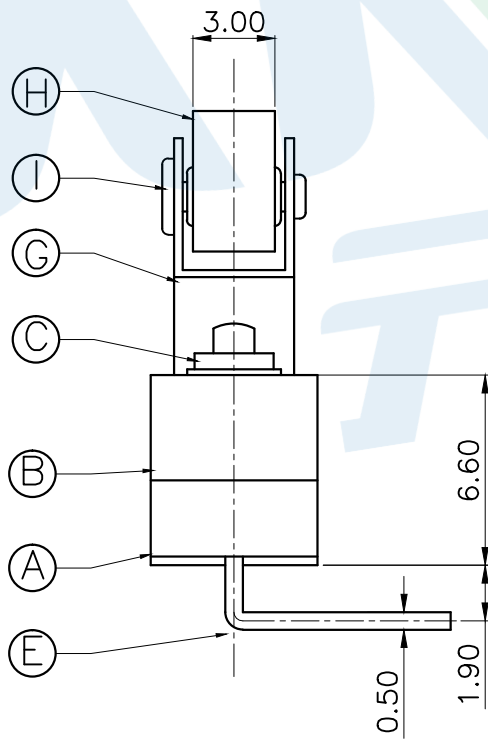
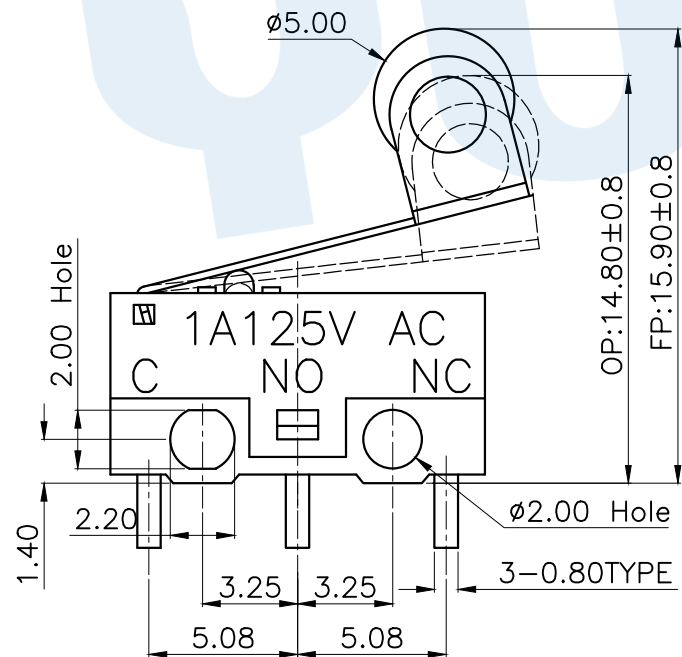
RoHS



PCB Layout(Pattern side)



Circuit Diagram



Operating force  
30±15gf

Contact material	
CODE	MATERIAL
T	Copper dot
Y	Silver dot

①	Positioning axis	1	Brass		
⑧	Wheel	1	POM		
③	Pressure handle	1	SUS		
⑥	Contact	1	Silver/copper dot		
⑤	Terminal	3	Brass	Silver	
④	Contact reed	1	Brass		
⑦	Handle	1	POM	White	
②	Cover	1	PBT	Black	
⑨	Base	1	PBT	White	
NO.	Name	Number	Qty	Materil	Remarks

YUANDI® Yuandi Electronics Co, Ltd

design	date	name	MICRO SWITCH
Review	date	model	TC-5610W8-□
Approved	date		

Drawing number: Proportion 1:1 unit mm gage number A4

modify Review Approved Tolerance not specified