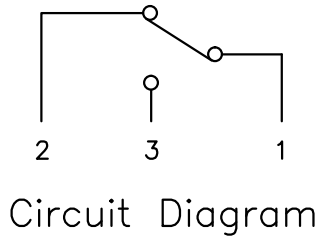
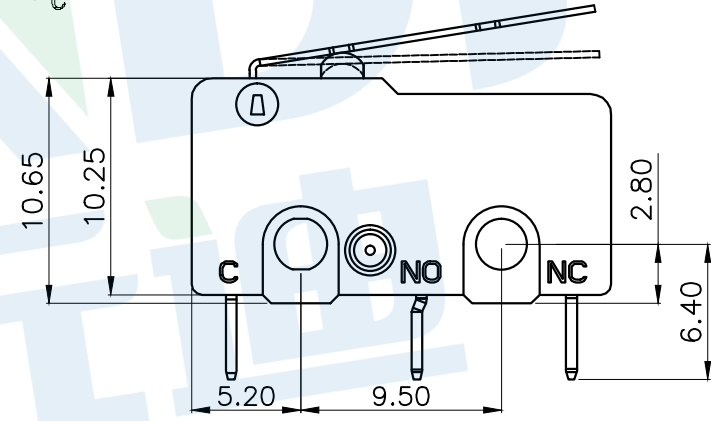
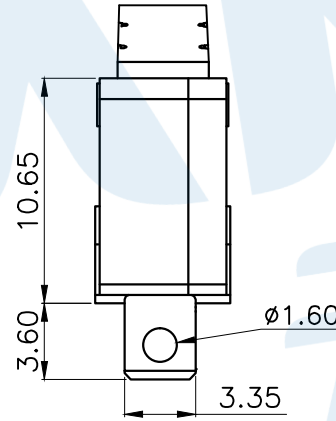
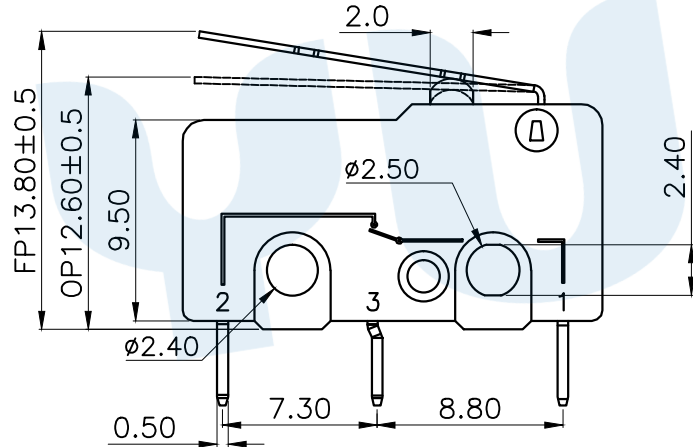
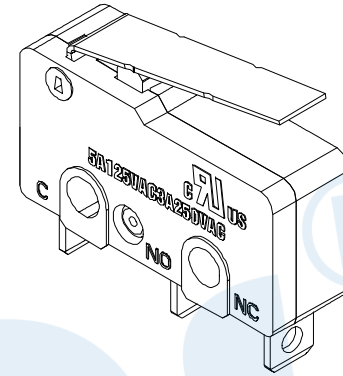
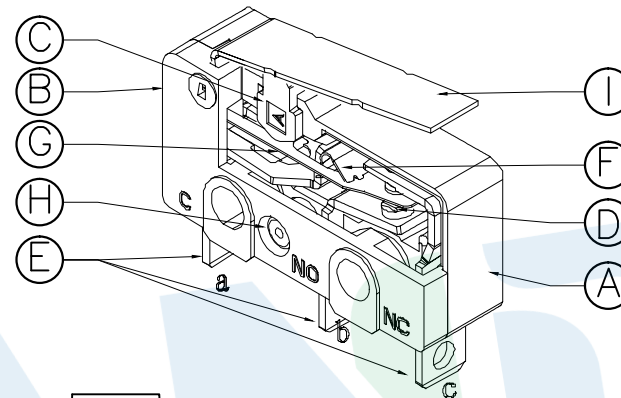
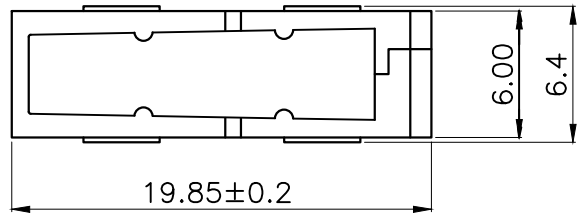


RoHS



Operating force
30±15gf

| | | | | | |
|-----|-----------------|--------|------------------|---------|---------|
| ① | Pressure handle | 1 | SUS | | |
| ⑧ | Aluminum rivet | 1 | Aluminum alloy | | |
| ③ | Long shrapnel | 1 | Beryllium copper | | |
| ④ | Short shrapnel | 1 | Beryllium copper | | |
| ⑤ | Terminal | 3 | Brass | Silver | |
| ② | Contact | 1 | Silver alloy | Silver | |
| ⑥ | Handle | 1 | PBT | Black | |
| ⑦ | Cover | 1 | PBT | Black | |
| ⑨ | Base | 1 | PBT | Black | |
| NO. | Name | Number | Qty | Materil | Remarks |

YUANDI® Yuandi Electronics Co, Ltd

| | | | |
|----------|------|------|--------------|
| design | date | name | MICRO SWITCH |
| Review | date | | |
| Approved | date | name | TC-5616A-Y |

Drawing number: Proportion 1:1 unit mm gage number A4

modify Review Approved Tolerance not specified