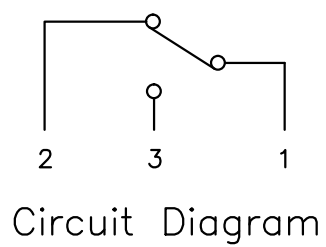
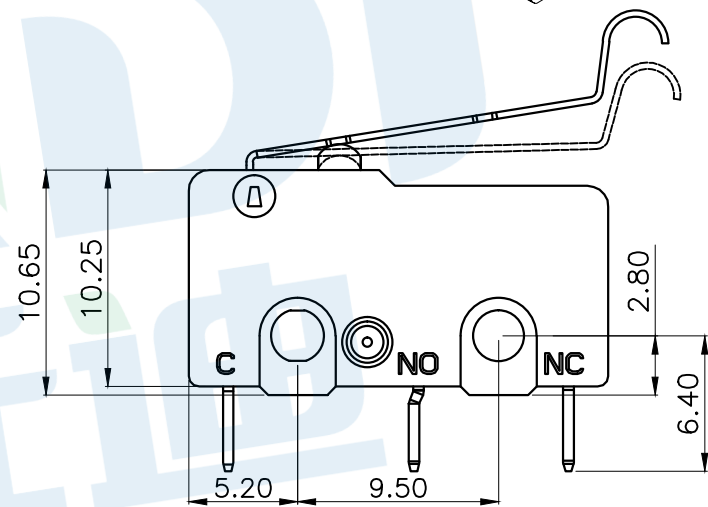
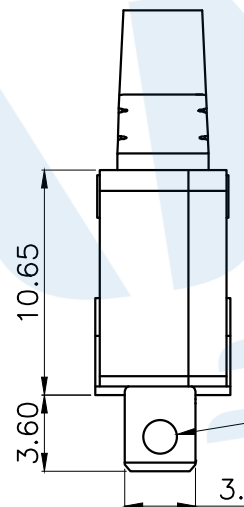
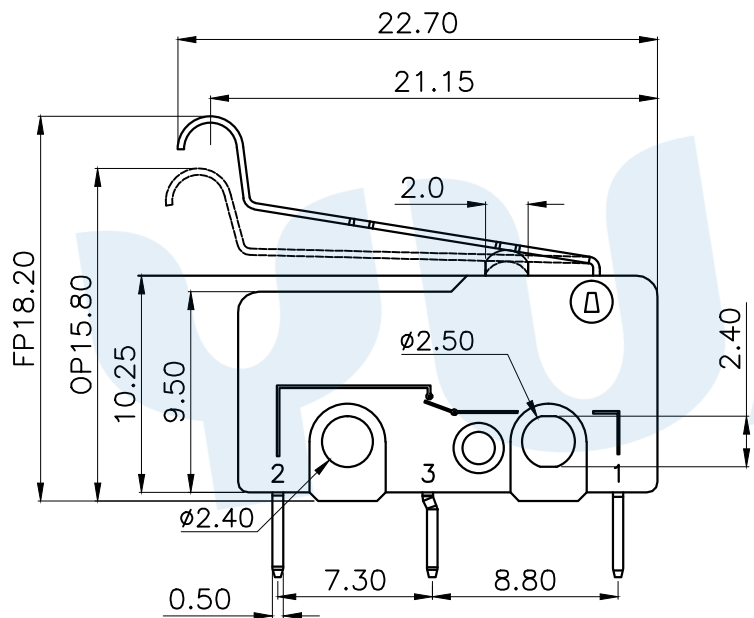
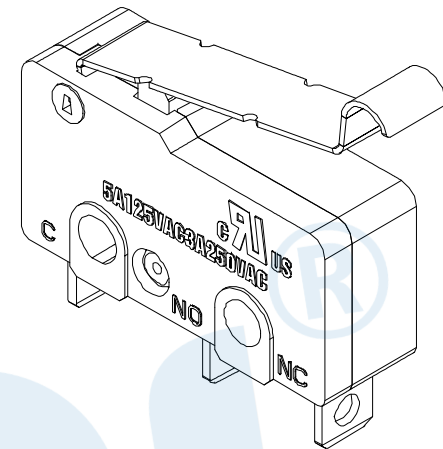
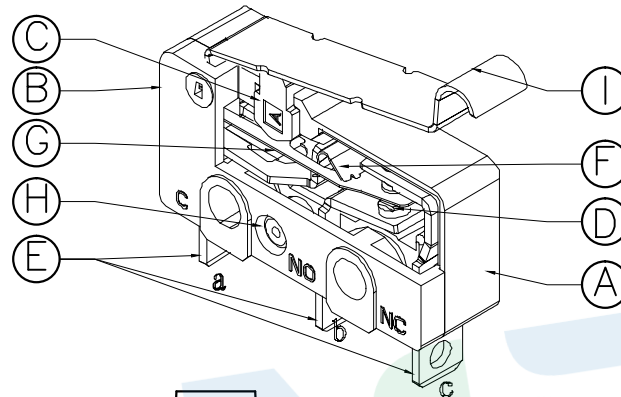
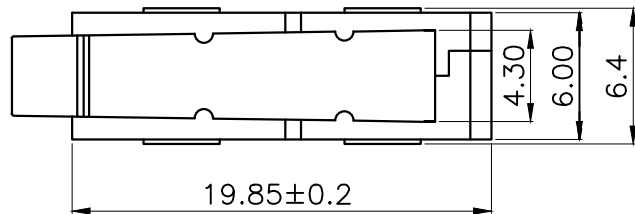


RoHS



Operating force
30±15gf

①	Pressure handle	1	SUS		
⑧	Aluminum rivet	1	Aluminum alloy		
③	Long shrapnel	1	Beryllium copper		
④	Short shrapnel	1	Beryllium copper		
⑤	Terminal	3	Brass	Silver	
②	Contact	1	Silver alloy	Silver	
⑥	Handle	1	PBT	Black	
⑦	Cover	1	PBT	Black	
⑨	Base	1	PBT	Black	
NO.	Name	Number	Qty	Materil	Remarks

YUANDI® Yuandi Electronics Co, Ltd

						angle	±2'		design	date					
						10~30	±0.30		Review	date		name	MICRO SWITCH		
						5~10	±0.20		Approved	date		name	TC-5616B-Y		
						~ 5	±0.10		Drawing number:						
						modify	Review	Approved	Tolerance not specified	Proportion	1:1	unit	mm	gaps number	A4