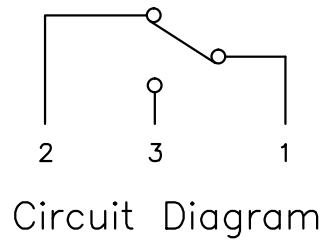
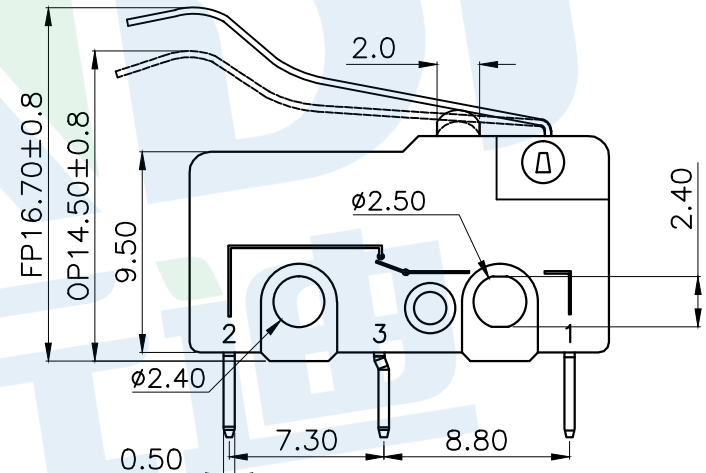
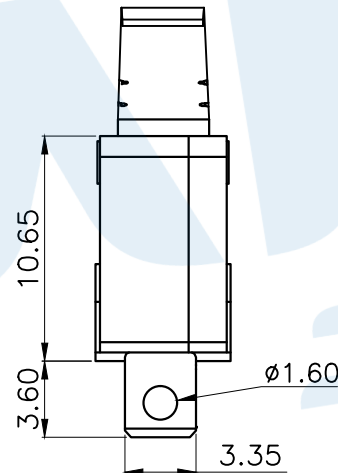
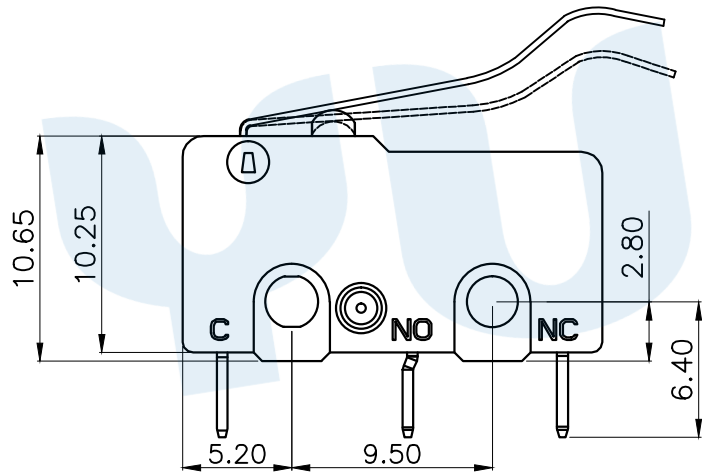
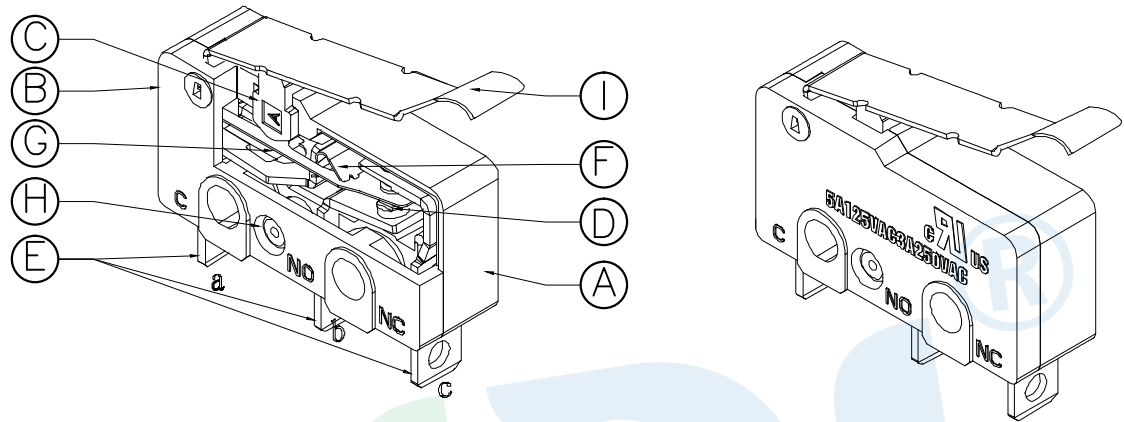
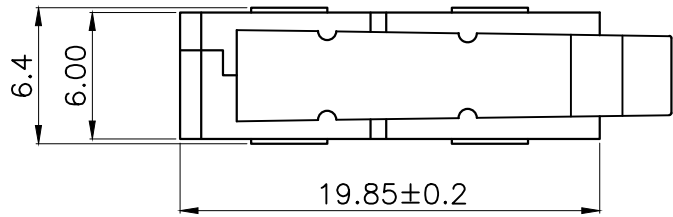


RoHS



Operating force
30±15gf

①	Pressure handle	1	SUS		
②	Aluminum rivet	1	Aluminum alloy		
③	Long shrapnel	1	Beryllium copper		
④	Short shrapnel	1	Beryllium copper		
⑤	Terminal	3	Brass	Silver	
⑥	Contact	1	Silver alloy	Silver	
⑦	Handle	1	PBT	Black	
⑧	Cover	1	PBT	Black	
⑨	Base	1	PBT	Black	
NO.	Name	Number	Qty	Materil	Remarks

YUANDI® Yuandi Electronics Co, Ltd

design	date	name	MICRO SWITCH
Review	date	name	TC-5616C-Y
Approved	date	name	

Drawing number: Proportion 1:1 unit mm gage number A4

modify Review Approved Tolerance not specified