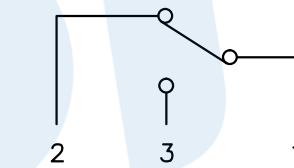
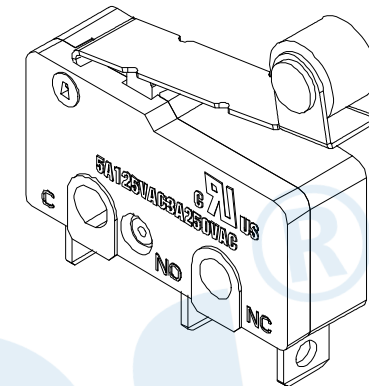
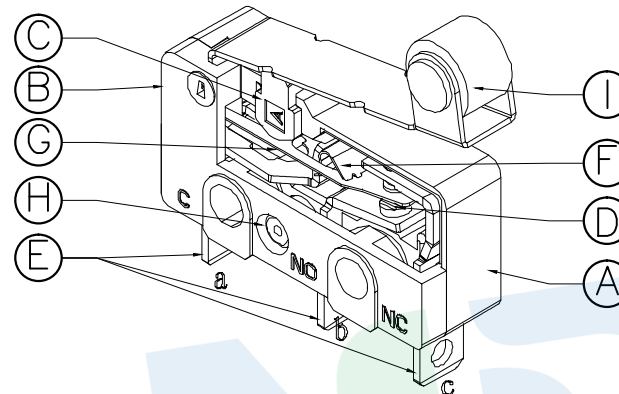
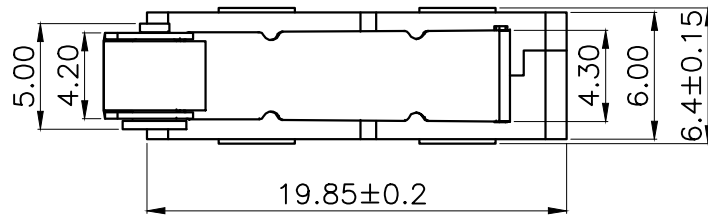
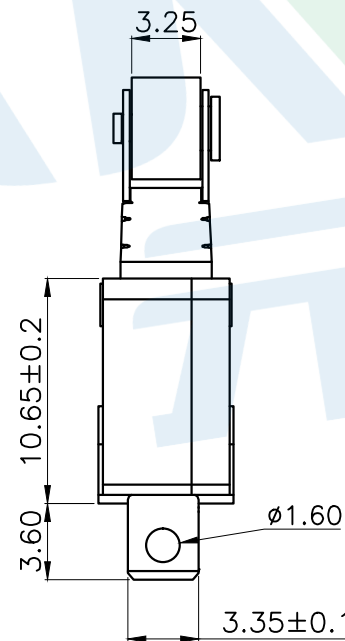
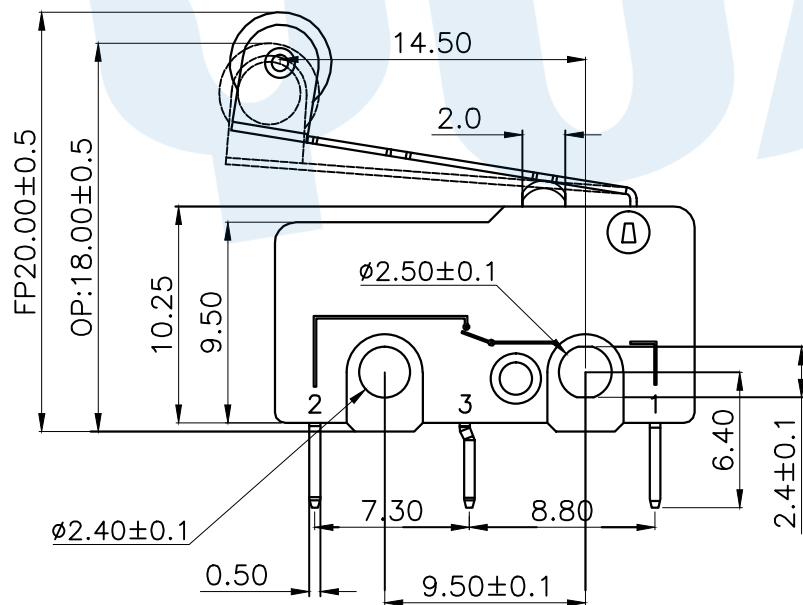


RoHS



Circuit Diagram



Operating force
30±15gf

Ⓚ	Positioning axis	1	Brass		
Ⓝ	Wheel	1	Brass		
Ⓛ	Pressure handle	1	SUS		
ⓗ	Aluminum rivet	1	Aluminum alloy		
Ⓒ	Long shrapnel	1	Beryllium copper		
Ⓕ	Short shrapnel	1	Beryllium copper		
Ⓔ	Terminal	3	Brass	Silver	
Ⓓ	Contact	1	Silver alloy	Silver	
Ⓒ	Handle	1	PBT	Black	
Ⓑ	Cover	1	PBT	Black	
Ⓐ	Base	1	PBT	Black	
NO.	Name	Number	Qty	Materil	Remarks

YUANDI® Yuandi Electronics Co, Ltd

design	date	name	MICRO SWITCH
Review	date	name	TC-5616D-Y
Approved	date	name	

Drawing number: Proportion 1:1 unit mm gage number A4

modify Review Approved

angle	±2'
10~30	±0.30
5~10	±0.20
~ 5	±0.10

Tolerance not specified