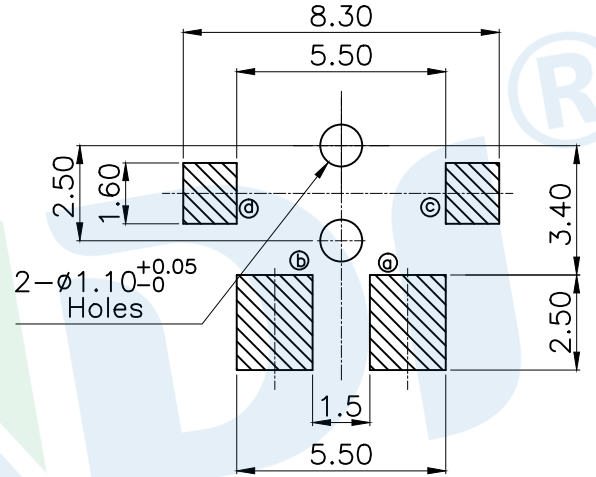
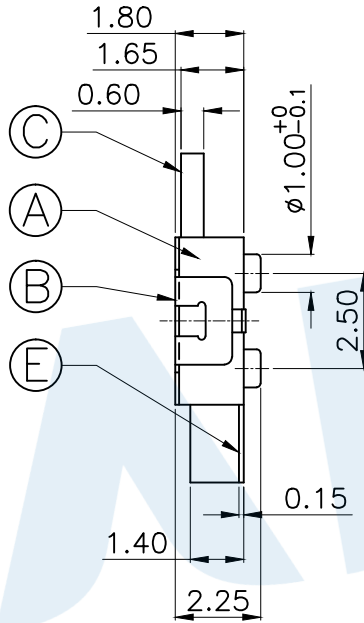
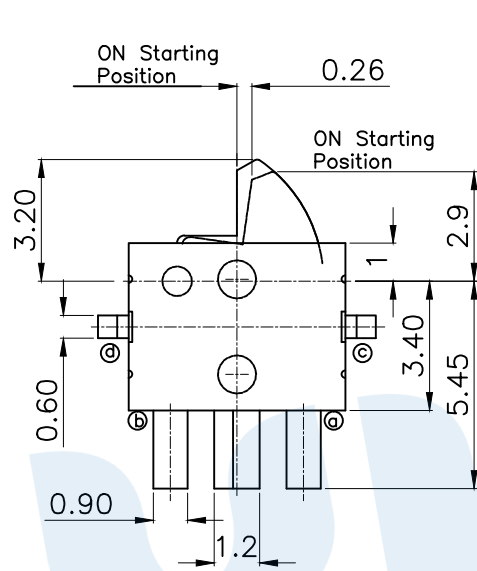
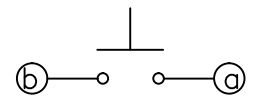
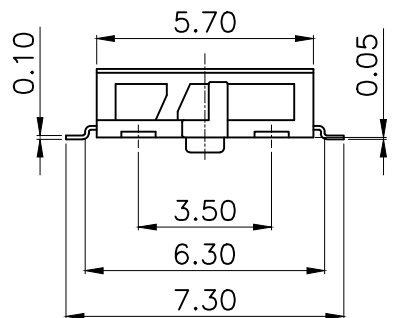


RoHS



PCB Layout(Pattern side)



Circuit Diagram

Technical Parameters

- 1. Rated current: DC 30V 0.1A
- 2. Operating force: 30±10gf
- 3. Mechanical life: 50,000 times

|     |                |        |     |                 |           |
|-----|----------------|--------|-----|-----------------|-----------|
| ⑤   | Terminal       |        | 2   | Brass           | Silvering |
| ④   | Contact Spring |        | 1   | Phosphor bronze | Silvering |
| ③   | Button         |        | 1   | PA46            | Black     |
| ②   | Cover          |        | 1   | SUS             | Natural   |
| ①   | Base           |        | 1   | LCP             | Black     |
| NO. | Name           | Number | Qty | Material        | Remarks   |

**YUANDI®** Yuandi Electronics Co, Ltd

|          |      |       |                  |
|----------|------|-------|------------------|
| design   | date | name  | DETECTION SWITCH |
| Review   | date | model | TQ-2513          |
| Approved | date |       |                  |