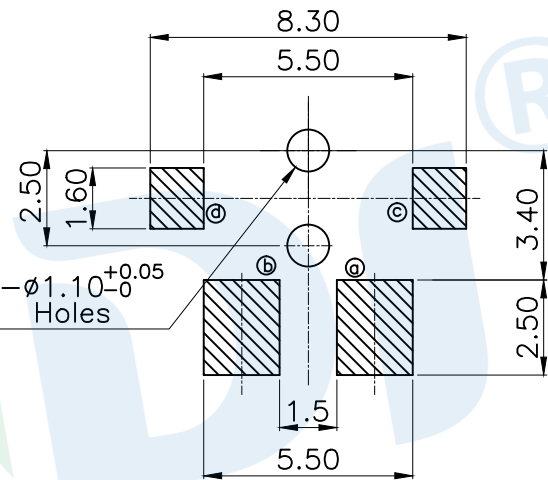
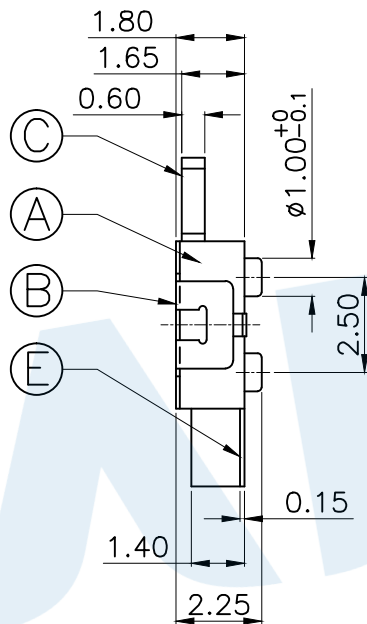
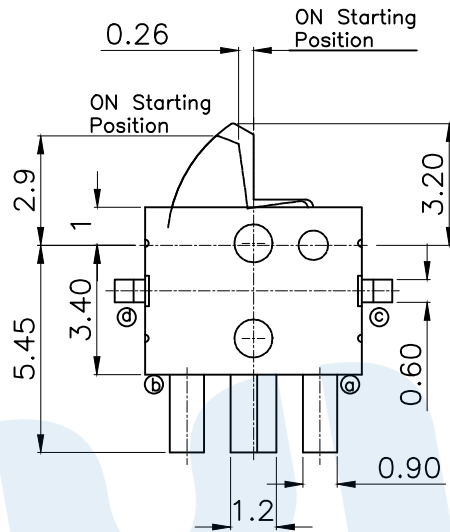
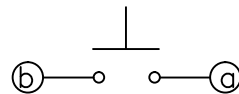
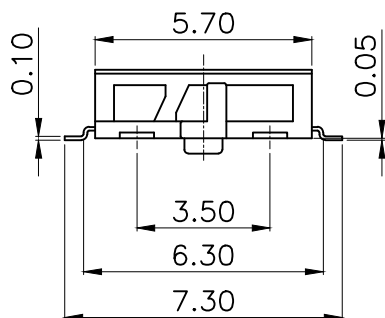


RoHS



PCB Layout(Pattern side)



Circuit Diagram

Technical Parameters

- 1. Rated current: DC 30V 0.1A
- 2. Operating force: 30±10gf
- 3. Mechanical life: 50,000 times

(E)	Terminal		2	Brass	Silvering
(D)	Contact Spring		1	Phosphor bronze	Silvering
(C)	Button		1	PA46	Black
(B)	Cover		1	SUS	Natural
(A)	Base		1	LCP	Black
NO.	Name	Number	Qty	Material	Remarks

YUANDI® Yuandi Electronics Co, Ltd

design	date	name	DETECTION SWITCH
Review	date	model	TQ-2513A
Approved	date		