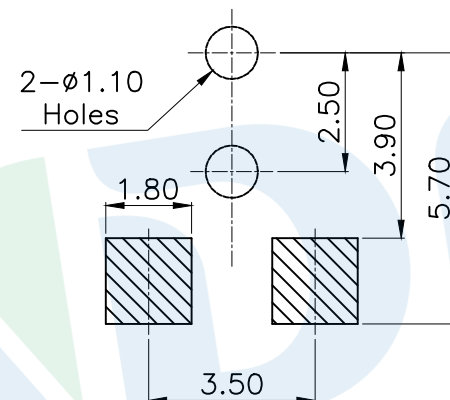
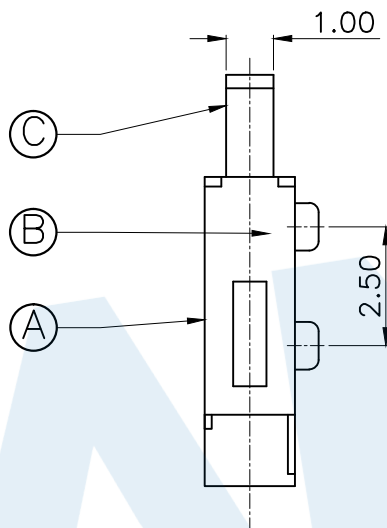
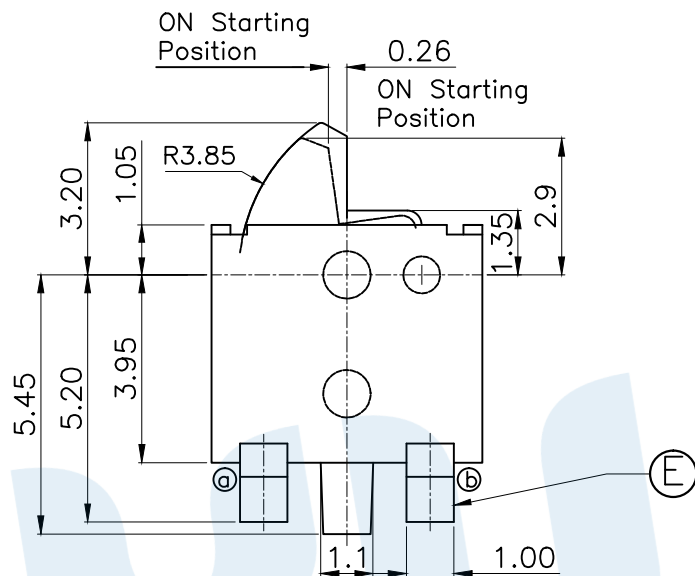
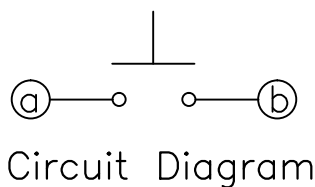
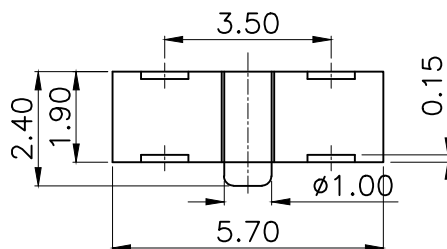


RoHS



PCB Layout(Pattern side)



Technical Parameters

- 1.Rated current: DC 30V 0.1A
- 2.Operating force:30±10gf
- 3.Mechanical life: 100,000 times

(E)	Terminal		2	Phosphor bronze	Silvering
(D)	Contact Spring		1	SUS	Silvering
(C)	Button		1	PA46	Black
(B)	Cover		1	Nylon	Black
(A)	Base		1	LCP	Black
NO.	Name	Number	Qty	Materil	Remarks

**YUANDI®** Yuandi Electronics Co.,Ltd

design	date	name	DETECTION SWITCH
Review	date	model	TQ-2515
Approved	date		

angle	±2'	Drawing number:	
10~30	±0.30	Proportion	1:1
5~10	±0.20	unit	mm
~ 5	±0.10	gape number	
modify	Review	Approved	Tolerance not specified