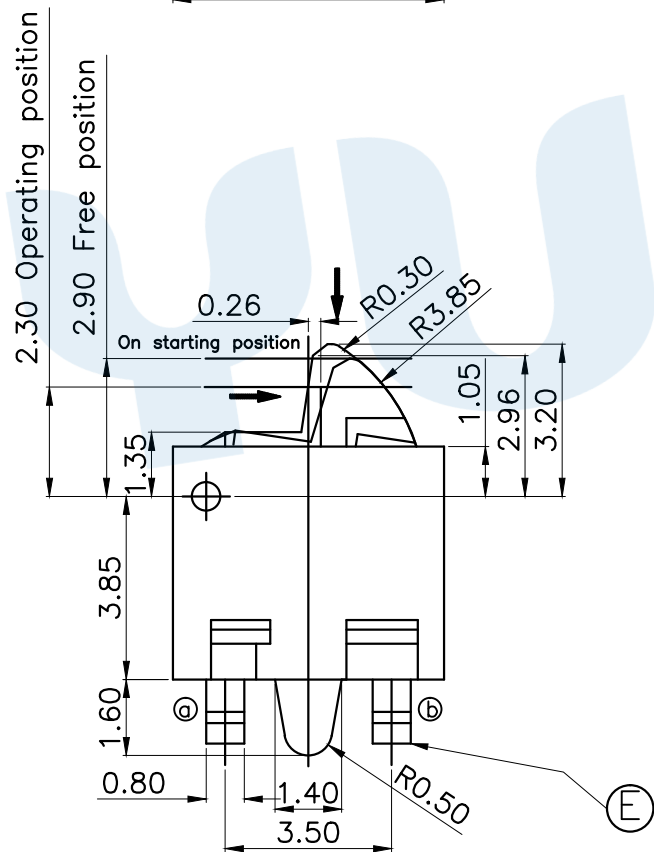
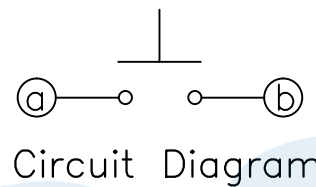
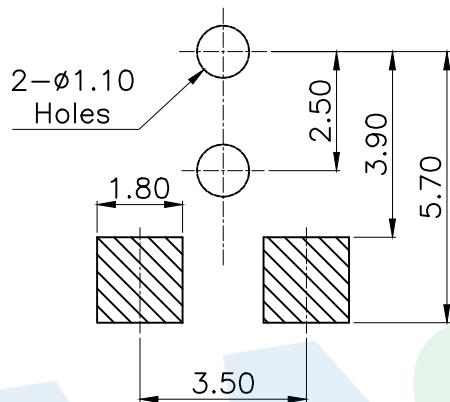
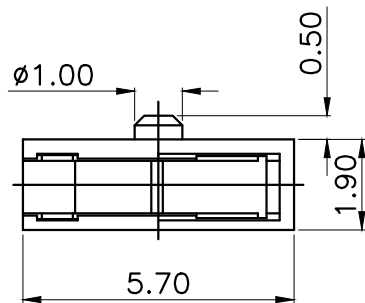
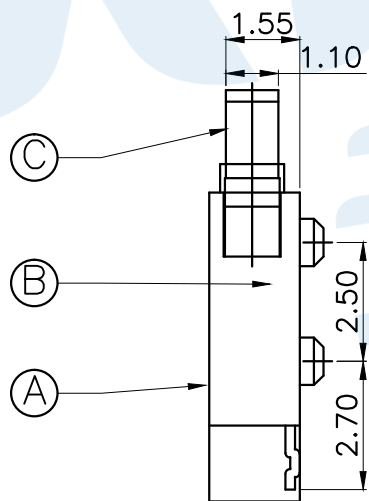


RoHS



PCB Layout(Pattern side)



Technical Parameters

- 1. Rated current: DC 30V 0.1A
- 2. Operating force: 30±10gf
- 3. Mechanical life: 100,000 times

(E)	Terminal		2	Phosphor bronze	Silvering
(D)	Contact Spring		1	SUS	Silvering
(C)	Button		1	Nylon	Black
(B)	Cover		1	Nylon	Brown
(A)	Base		1	Nylon	Brown
NO.	Name	Number	Qty	Materil	Remarks

YUANDI® Yuandi Electronics Co, Ltd

design	date	name	DETECTION SWITCH
Review	date	model	TQ-2515A
Approved	date		

Drawing number: Proportion 1:1 unit mm gage number A4

modify Review Approved Tolerance not specified