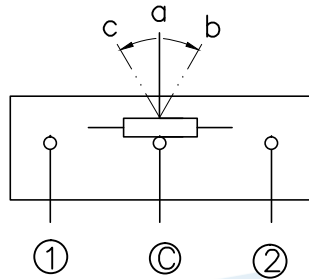
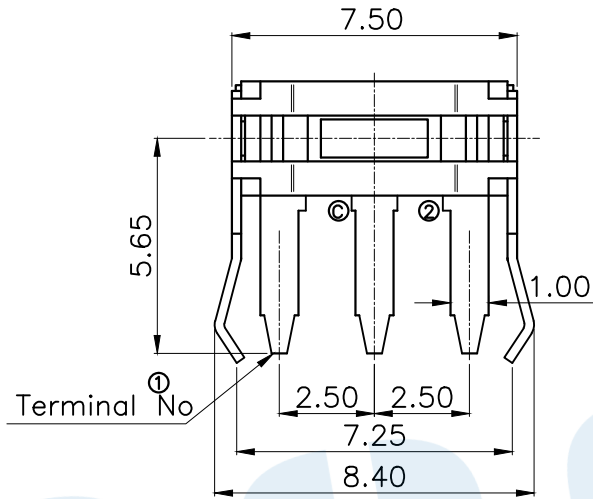
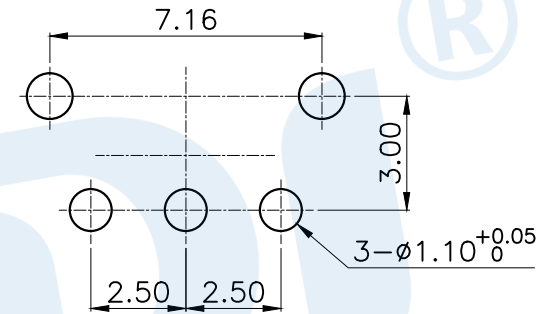


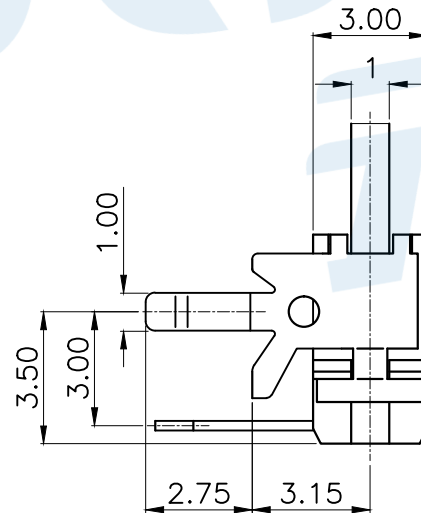
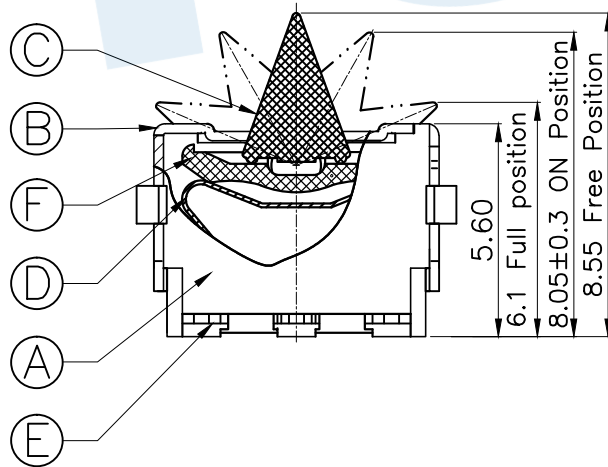
RoHS



Circuit Diagram



PCB Layout(Pattern side)



Technical Parameters

- 1.Rated current: DC 5V 10mA
- 2.Operating force:25±10gf
- 3.Mechanical life: 100,000 times

Ⓕ	Frisket		1	PA46	Black
Ⓖ	Terminal		3	Phosphor bronze	Silvering
Ⓓ	Contact Reed		1	Be alloy	Silvering
Ⓒ	Button		1	PA46	Black
Ⓑ	Cover		1	SUS	Natural
Ⓐ	Base		1	PA46	Black
NO.	Name	Number	Qty	Materil	Remarks

**YUANDI®** Yuandi Electronics Co.,Ltd

design	date	name	DETECTION SWITCH
Review	date	model	TQ-2519
Approved	date		

Drawing number: Proportion 1:1 unit mm gage number A4

modify Review Approved Tolerance not specified

angle	±2'
10~30	±0.30
5~10	±0.20
~ 5	±0.10