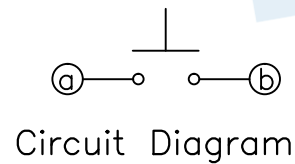
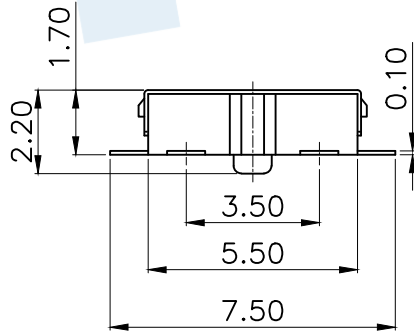
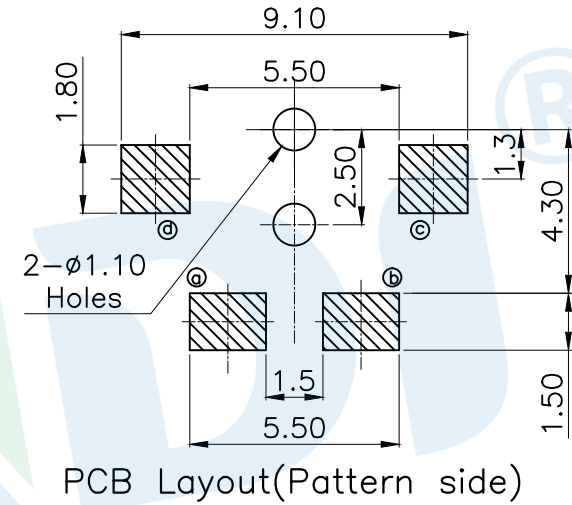
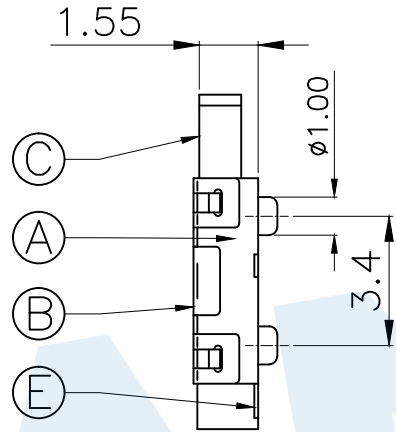
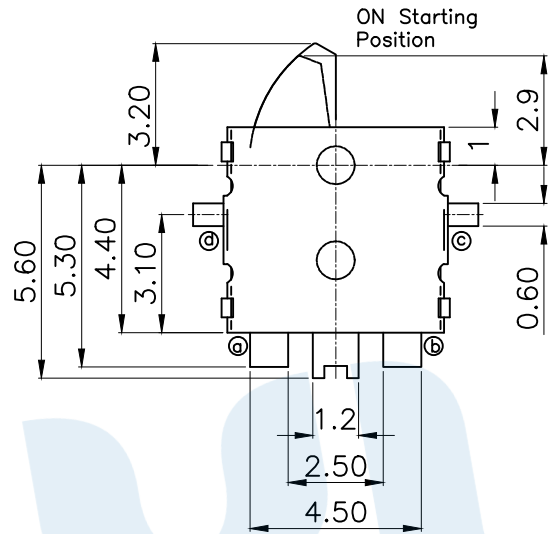


RoHS



Technical Parameters

1. Rated current: DC 30V 0.1A
2. Operating force: 20 ± 10 gf
3. Mechanical life: 50,000 times

⑤	Terminal		2	Phosphorus copper	Silvering
④	Contact Spring		1	Beryllium Bronze	Silvering
③	Button		1	LCP	Black
②	Cover		1	SUS	Natural
①	Base		1	LCP	Black
NO.	Name	Number	Qty	Materil	Remarks

YUANDI® Yuandi Electronics Co, Ltd

design	date	name	DETECTION SWITCH
Review	date	model	TQ-2527A
Approved	date		

Drawing number: Proportion 1:1 unit mm gage number A4

modify Review Approved Tolerance not specified