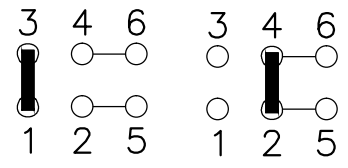
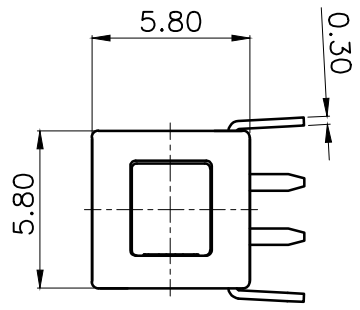
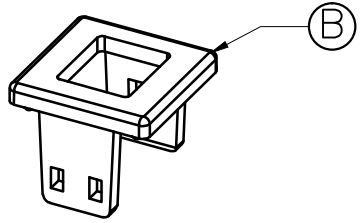
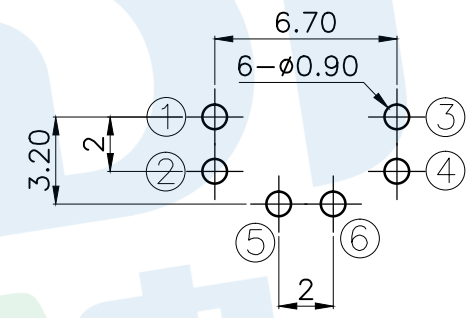
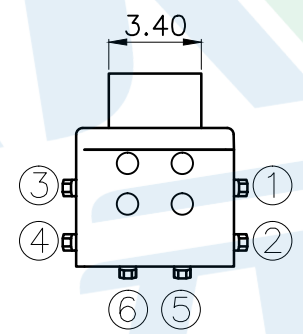
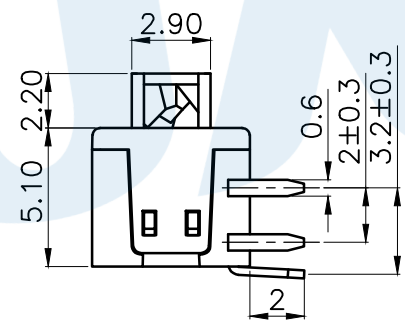
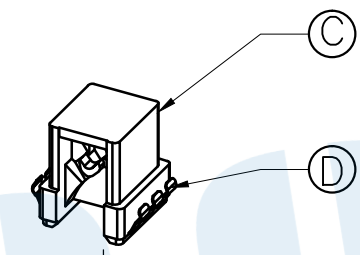
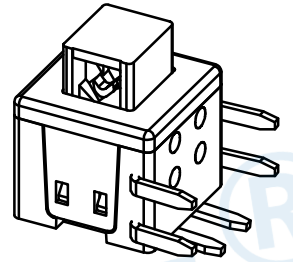


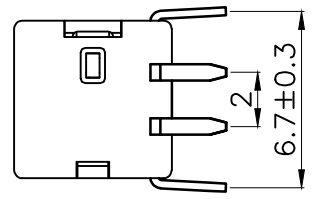
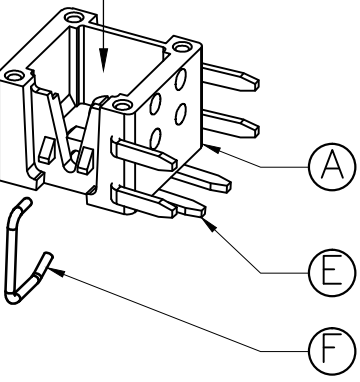
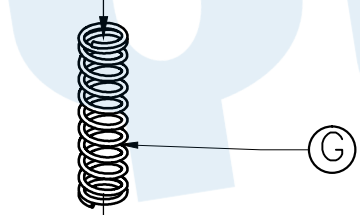
RoHS



Free Lock
Circuit Diagram



PCB Layout(Pattern Side)



NO.	Operating Type	Part No.	Operating force	Travel
1	Push To Lock	TK-6580A8-1	250±50gf	2.0±0.2
2	Push No Sound No Lock	TK-6580A8-2	250±50gf	2.0±0.2

Symbol	Name	Number	Qty	Material	Remarks
Ⓒ	Spring	1	1	SUS	Natural
Ⓕ	Crochet Needle	1	1	SUS	Natural
Ⓔ	Terminal	6	6	Brass	Silvering
Ⓖ	Reed	2	2	Phosphorus Copper	Silvering
Ⓒ	Button	1	1	PBT	White
Ⓑ	Cover	1	1	PBT	White
Ⓐ	Base	1	1	PBT	Black

YUANDI® Yuandi Electronics Co., Ltd

design	date	name	model
Review	date	name	TK-6580A8-□
Approved	date	model	

Drawing number: Proportion 1:1 unit mm gage number A4

angle	±2'	10~30	±0.30	5~10	±0.20	~ 5	±0.10		
modify	Review	Approved	Tolerance not specified	Proportion	1:1	unit	mm	gage number	A4