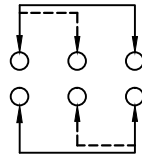
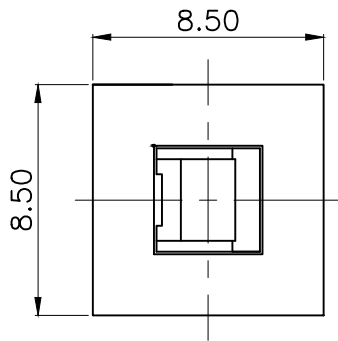
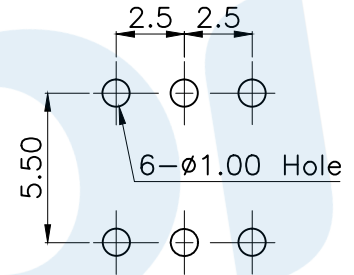


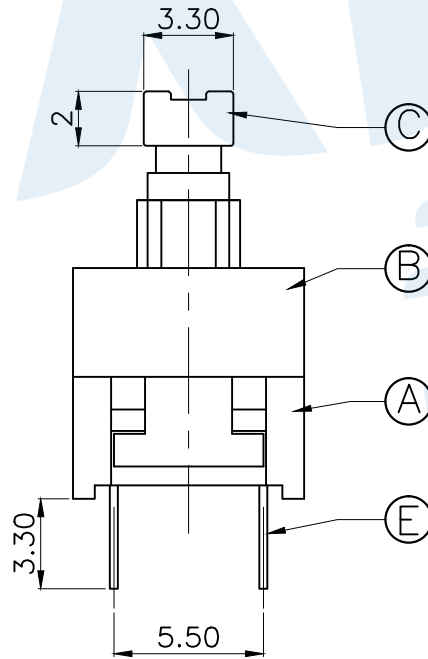
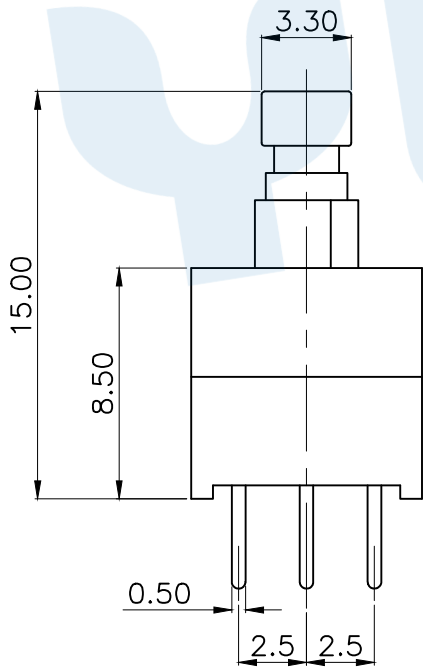
RoHS



Circuit Diagram



PCB Layout(Pattern Side)



NO.	Operating Type	Part No.	Operating force	Travel
1	Push To Lock	TK-6860-1	240±50gf	2.4±0.2
2	Push No Lock	TK-6860-2	240±50gf	2.4±0.2
3	Push No Sound No Lock	TK-6860-3	240±50gf	2.4±0.2

(H)	Injection Terminal		1	Nylon	Black
(C)	Spring		1	SUS	Natural
(F)	Crochet Needle		1	SUS	Natural
(E)	Terminal		6	Brass	Silvering
(D)	Reed		2	Phosphorus Copper	Silvering
(C)	Button		1	POM	White
(B)	Cover		1	PBT	Gray
(A)	Base		1	PBT	Black
NO.	Name	Number	Qty	Materil	Remarks

YUANDI® Yuandi Electronics Co, Ltd

design	date	name	BUTTON SWITCH
Review	date	model	
Approved	date	TK-6860-□	

Drawing number: Proportion 1:1 unit mm gage number A4

modify Review Approved

Tolerance not specified