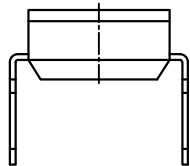
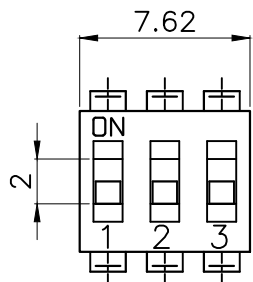
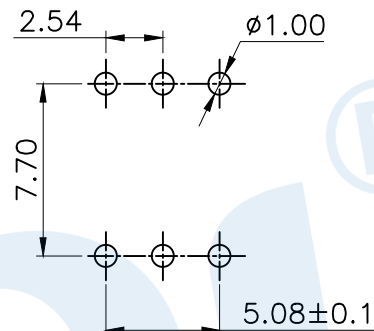


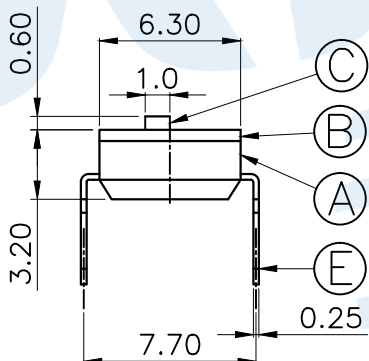
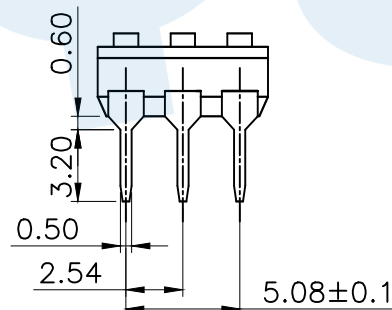
RoHS



短柄 Short handle



PCB Layout(Pattern Side)



凸柄 Convex handle



Circuit Diagram

NOTE:

- 1.Rating: 24V 25mA DC
- 2.Insulation Resistance: $\geq 100 \text{ M}\Omega$
- 3.Withstand voltage: AC 500V 1Minute
- 4.Operating Force Range: 500gf Max
- 5.Mechanical Life: 3,000 Cycles

Number of digits(位数)	1P	2P	3P	4P	5P	6P	7P	8P	9P	10P	12P
Cover/black 凸柄 Convex handle	TL-01	TL-02	TL-03	TL-04	TL-05	TL-06	TL-07	TL-08	TL-09	TL-10	TL-12
盖子/黑色 短柄 Short handle	TL-01D	TL-02D	TL-03D	TL-04D	TL-05D	TL-06D	TL-07D	TL-08D	TL-09D	TL-10D	TL-12D

Ⓔ	Terminal		6	Brass	Gold plating
Ⓓ	Shrapnel		3	Beryllium copper	Gold plating
Ⓒ	Handle		3	PA46	White
Ⓑ	Cover		1	PPS	Black
Ⓐ	Base		1	PPS	Black
NO.	Name	Number	Qty	Materil	Remarks

YUANDI® Yuandi Electronics Co, Ltd
元迪

design	date	name	DIP SWITCH
Review	date	model	TL-03
Approved	date		
Drawing number:			
modify	Review	Approved	Tolerance not specified
Proportion	1:1	unit	mm
gape number			A4