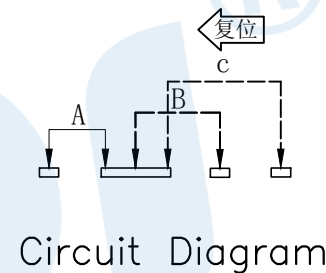
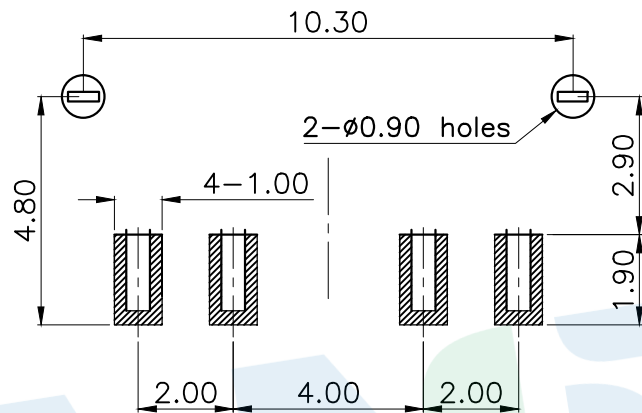
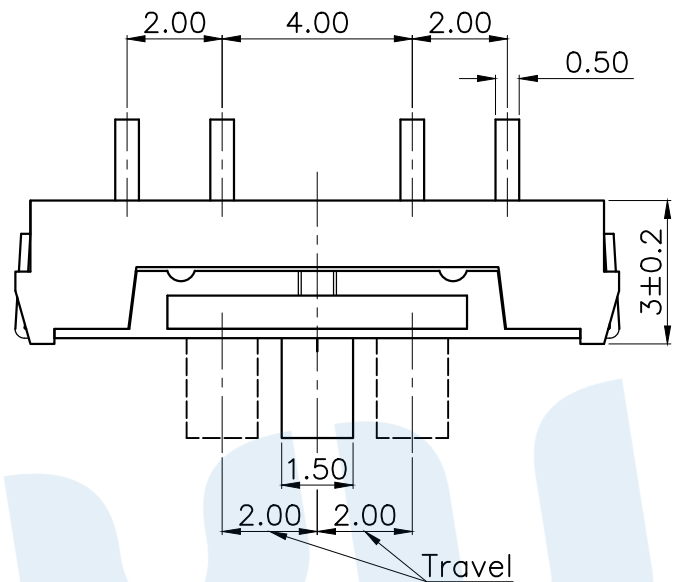
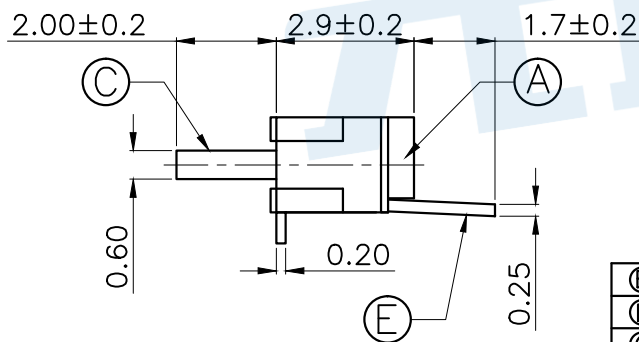
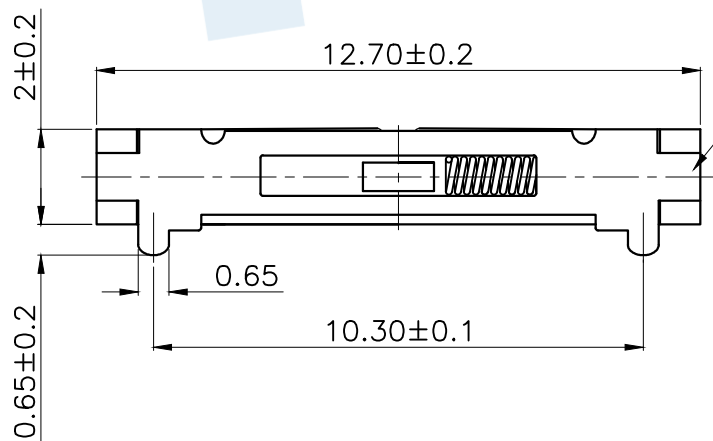


RoHS



PCB Layout (Pattern side)

Circuit Diagram



Code	H	Operating force
A1	2.0	200±50gf

NO.	Name	Number	Qty	Materil	Remarks
①	Terminal		4	Brass	Ag plated
②	Contact reed		1	Phosphorus copper	Ag plated
③	Handle		1	PA46	Black
④	Cover		1	SUS	Natural
⑤	Base		1	LCP	Black

YUANDI® Yuandi Electronics Co, Ltd

design	date	name
Review	date	TOGGLE SWITCH
Approved	date	model TA-3506B-A□

Drawing number: Proportion 1:1 unit mm gage number A4

modify Review Approved Tolerance not specified