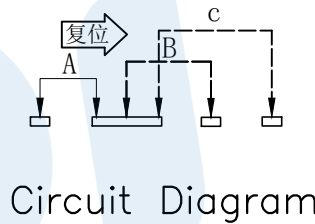
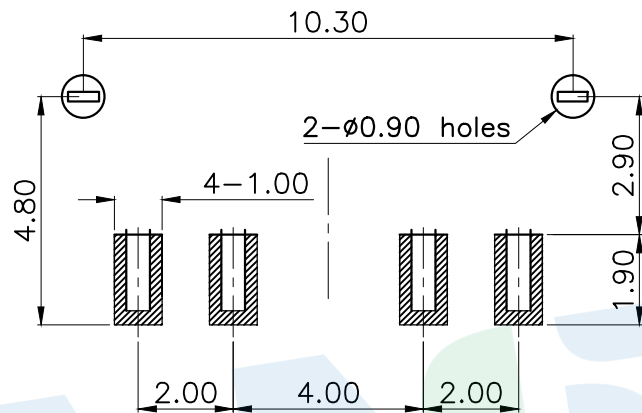
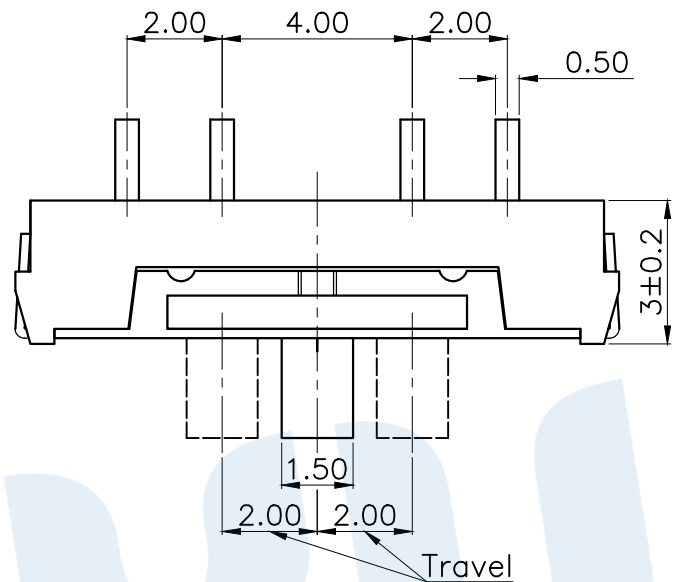
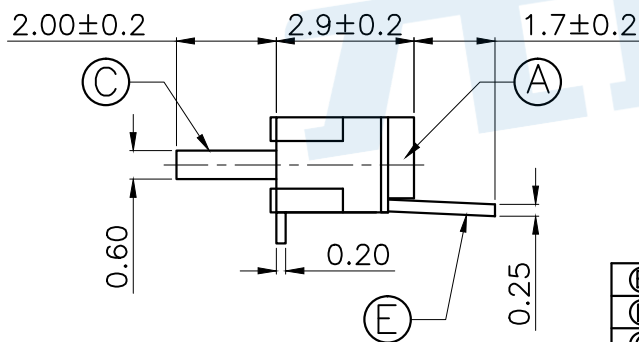
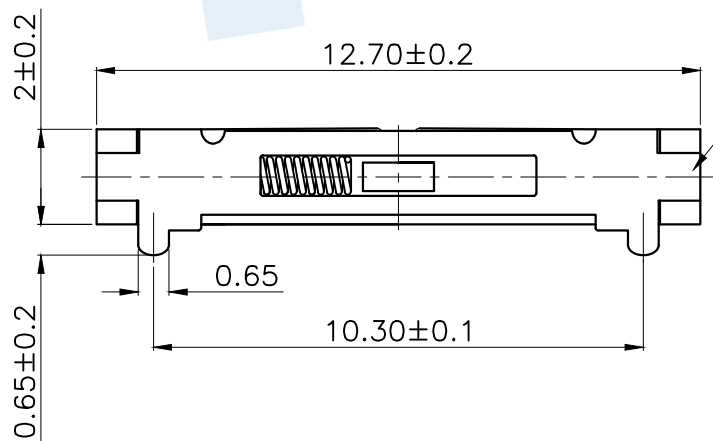


RoHS



PCB Layout (Pattern side)

Circuit Diagram



Code	H	Operating force
A1	2.0	200±50gf

NO.	Name	Number	Qty	Materil	Remarks
Ⓔ	Terminal		4	Brass	Ag plated
Ⓓ	Contact reed		1	Phosphorus copper	Ag plated
Ⓒ	Handle		1	PA46	Black
Ⓑ	Cover		1	SUS	Natural
Ⓐ	Base		1	LCP	Black

YUANDI® Yuandi Electronics Co, Ltd

design	date	name	TOGGLE SWITCH
Review	date	model	TA-3506A-A□
Approved	date		

Drawing number: Proportion 1:1 unit mm gage number A4

modify Review Approved Tolerance not specified

angle	±2'
10~30	±0.30
5~10	±0.20
~ 5	±0.10