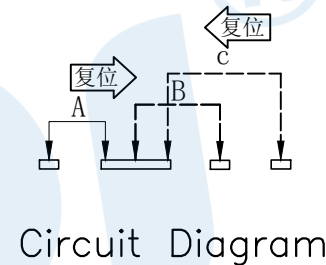
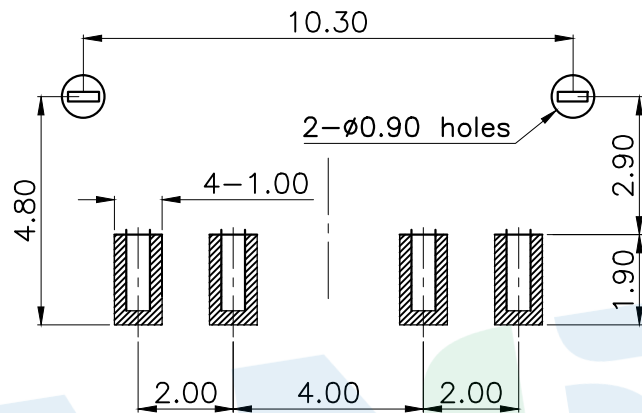
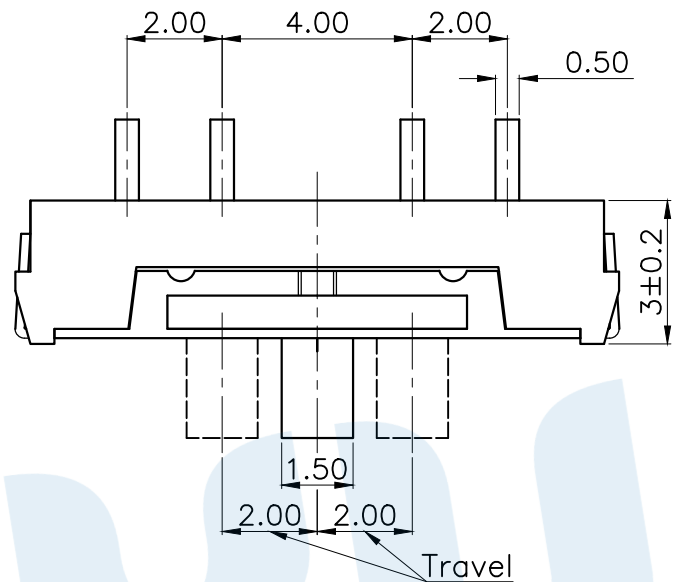
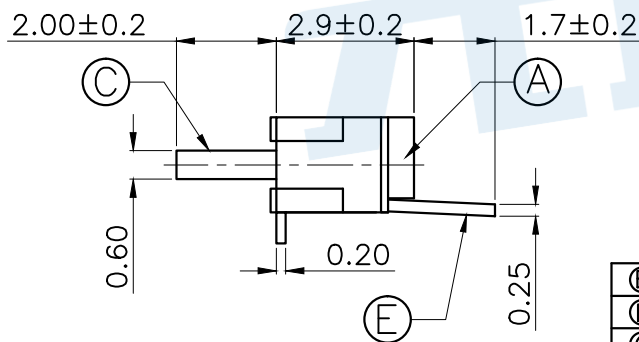
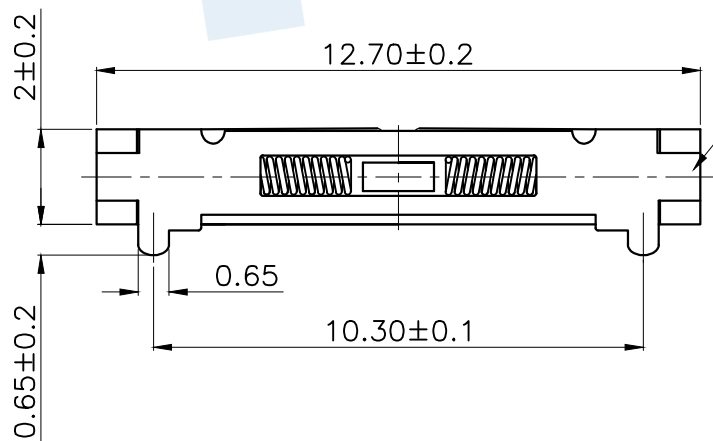


RoHS



PCB Layout (Pattern side)

Circuit Diagram



Code	H	Operating force
A1	2.0	200±50gf

NO.	Name	Number	Qty	Materil	Remarks
①	Terminal		4	Brass	Ag plated
②	Contact reed		1	Phosphorus copper	Ag plated
③	Handle		1	PA46	Black
④	Cover		1	SUS	Natural
⑤	Base		1	LCP	Black

YUANDI® Yuandi Electronics Co, Ltd

design	date	name	TOGGLE SWITCH
Review	date	model	TA-3506D-A□
Approved	date		
Drawing number:			
angle	±2'		
10~30	±0.30		
5~10	±0.20		
~ 5	±0.10		
modify	Review	Approved	Tolerance not specified
Proportion	1:1	unit	mm
gape number			A4