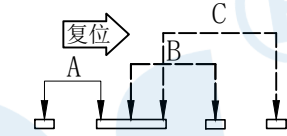
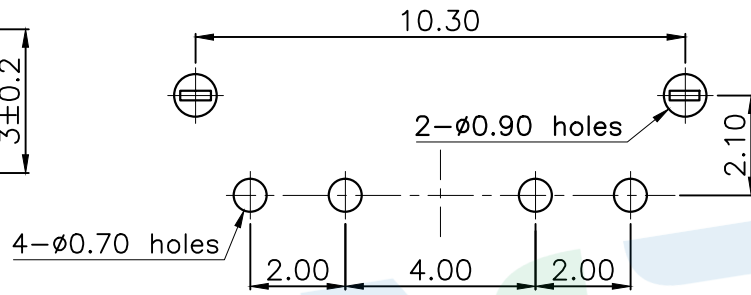
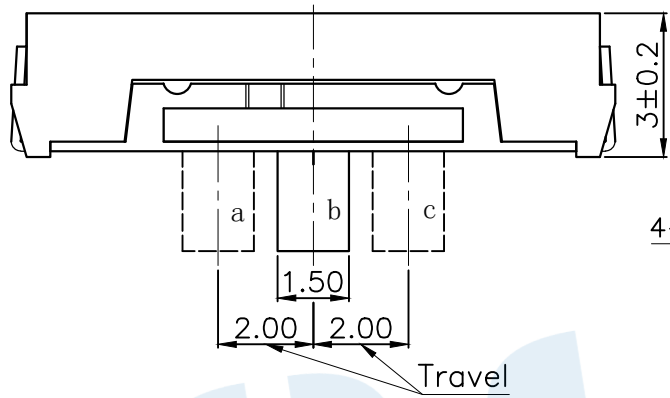
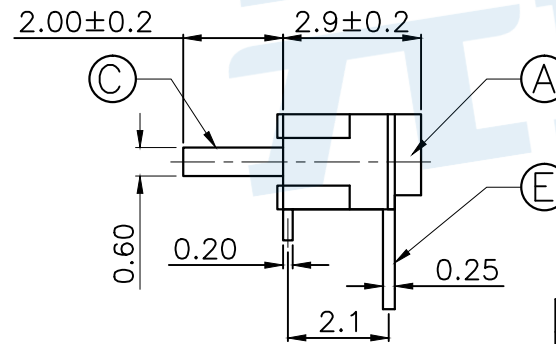
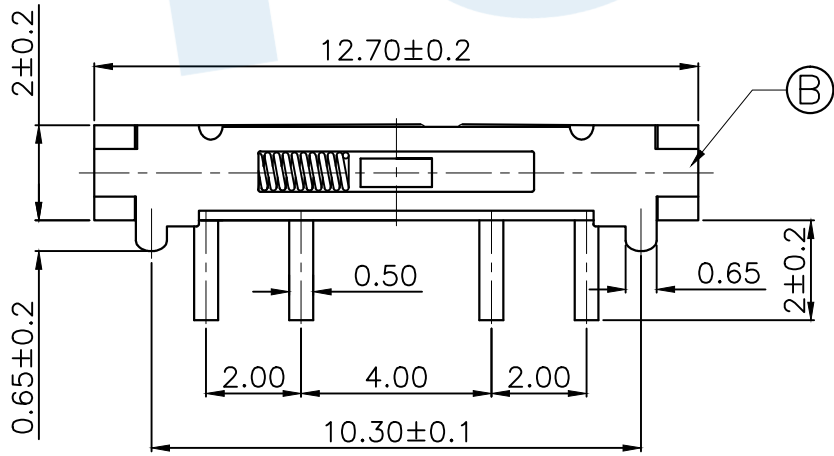


RoHS



PCB Layout(Pattern side)

Circuit Diagram



Code	H	Operating force
A1	2.0	200±50gf

NO.	Name	Number	Qty	Materil	Remarks
⑤	Terminal		4	Brass	Ag plated
④	Contact reed		1	Phosphorus copper	Ag plated
③	Handle		1	PA46	Black
②	Cover		1	SUS	Natural
①	Base		1	LCP	Black

YUANDI® Yuandi Electronics Co, Ltd

design	date	name
Review	date	TOGGLE SWITCH
Approved	date	model

Drawing number: TA-3506F-A□

modify Review Approved Tolerance not specified Proportion 1:1 unit mm gage number A4