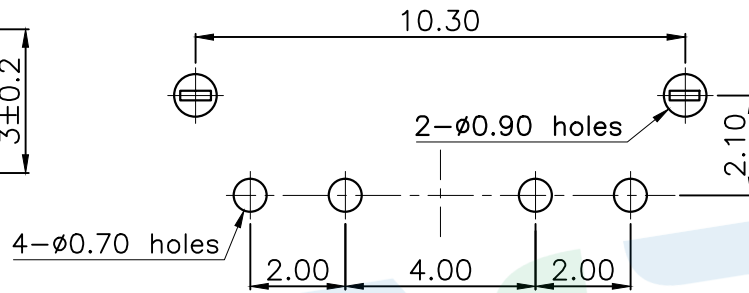
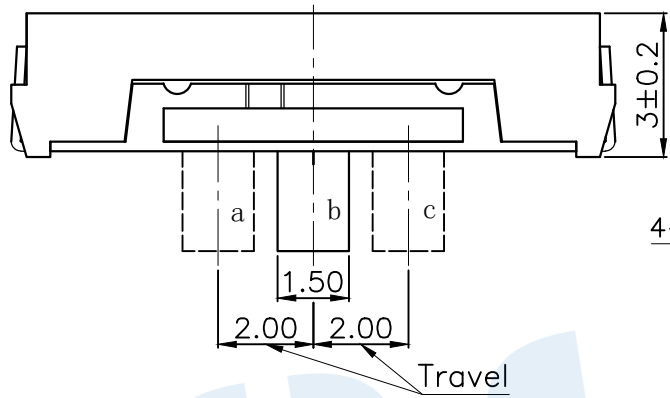
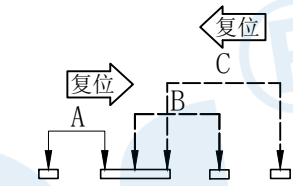


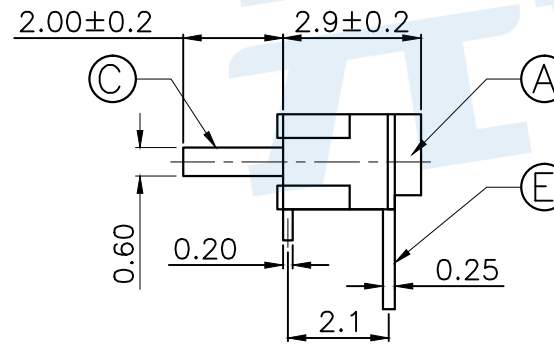
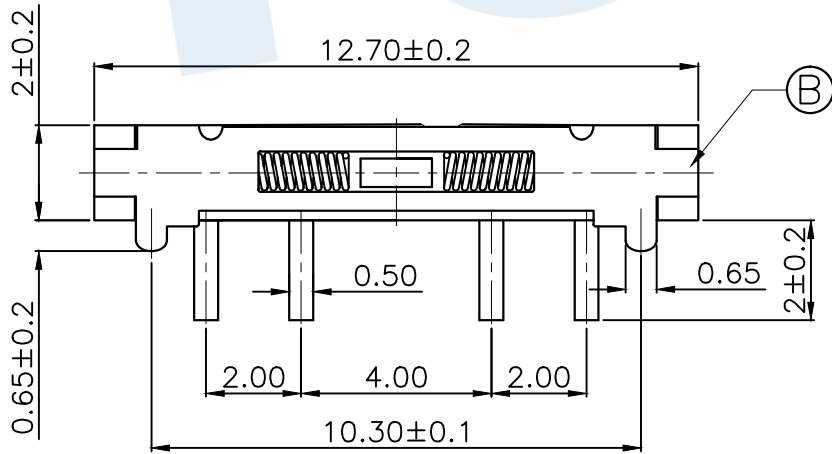
RoHS



PCB Layout(Pattern side)



Circuit Diagram



Code	H	Operating force
A1	2.0	200±50gf

NO.	Name	Number	Qty	Materil	Remarks
(E)	Terminal		4	Brass	Ag plated
(D)	Contact reed		1	Phosphorus copper	Ag plated
(C)	Handle		1	PA46	Black
(B)	Cover		1	SUS	Natural
(A)	Base		1	LCP	Black

YUANDI® Yuandi Electronics Co, Ltd

design	date	name
Review	date	TOGGLE SWITCH
Approved	date	model TA-3506G-A□

Drawing number: Proportion 1:1 unit mm gage number A4

modify Review Approved Tolerance not specified

angle	±2'
10~30	±0.30
5~10	±0.20
~ 5	±0.10