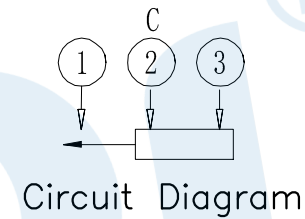
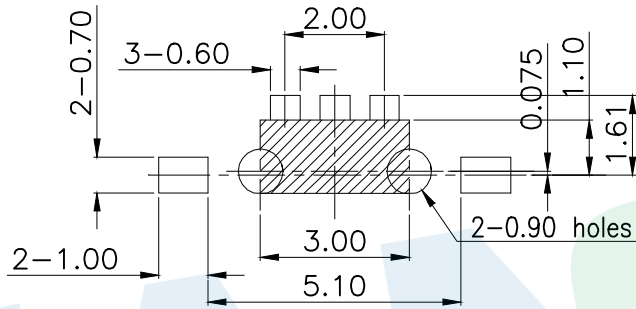
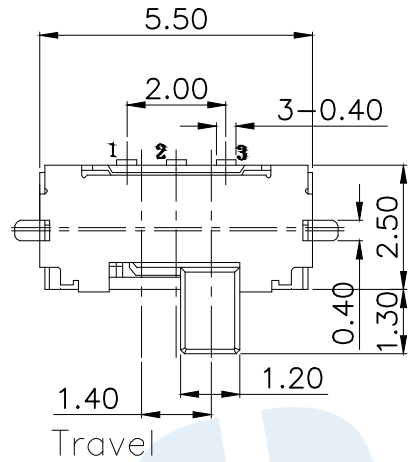
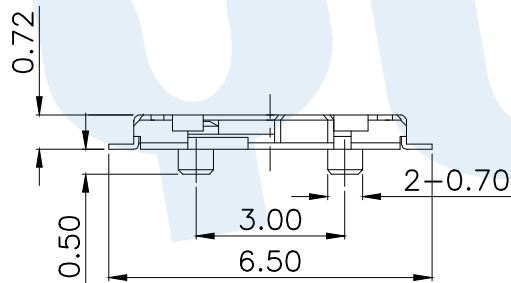


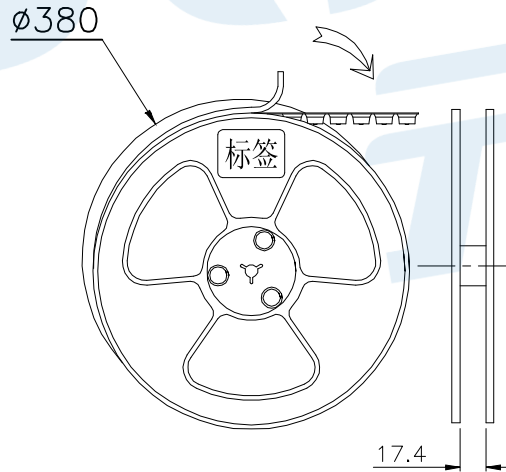
RoHS



PCB Layout (Pattern side)

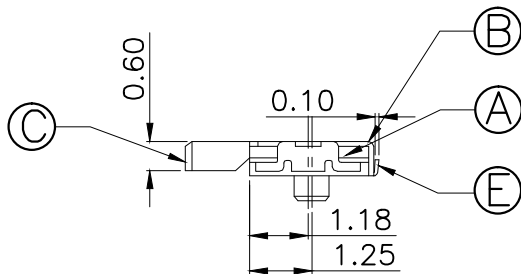


包装规格: 载带包装



数量 (PCS):
一盘: 5000PCS

Code	H	Operating force
A1	1.3	100±50gf



NO.	Name	Number	Qty	Materil	Remarks
⑤	Terminal		3	Phosphor Bronze	Silver
④	Contact reed		1	Phosphor Bronze	Silver covered
③	Handle		1	Nylon	Black
②	Cover		1	SUS	Silver
①	Base		1	Nylon	Black

YUANDI® Yuandi Electronics Co, Ltd

design	date	name	TOGGLE SWITCH
Review	date	model	TA-3515-A□
Approved	date		

Drawing number: Proportion 1:1 unit mm gage number A4

modify Review Approved Tolerance not specified