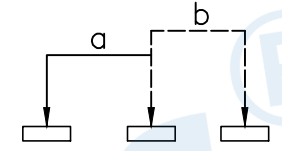
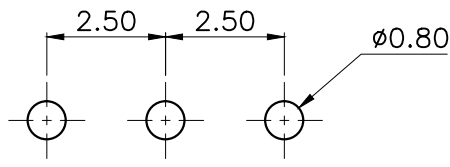
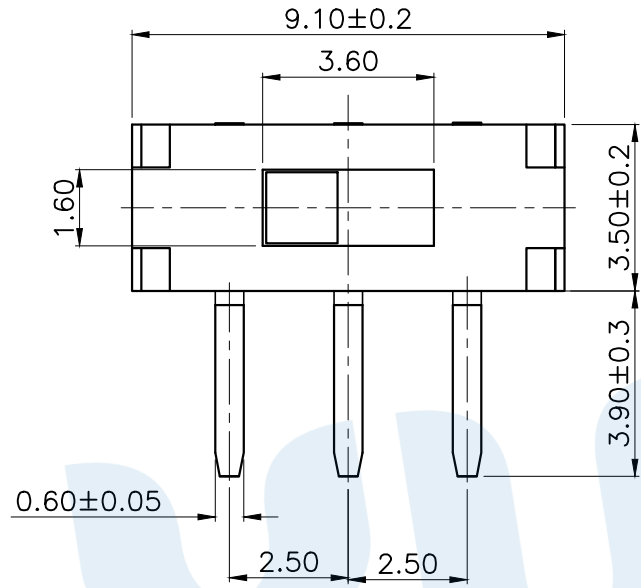


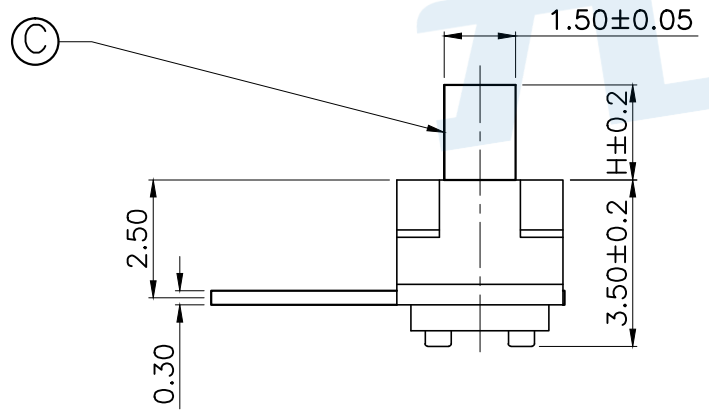
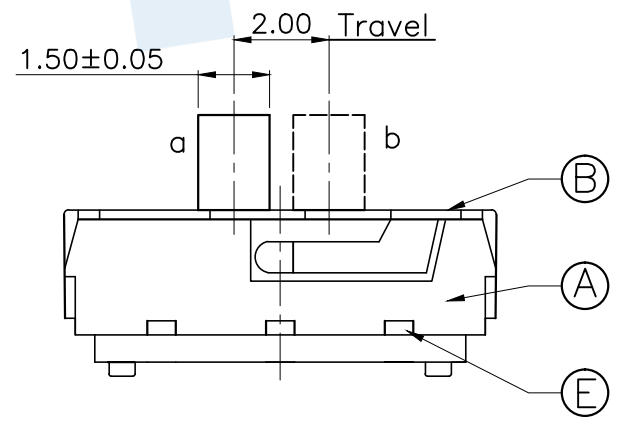
RoHS



PCB Layout (Pattern side)

Circuit Diagram

Code	H	Operating force
A1	2.0	200±80gf
A2	3.0	
A3	4.0	



NO.	Name	Number	Qty	Materil	Remarks
⑤	Terminal		3	Brass	Silver
④	Contact reed		1	Beryllium copper	Silver covered
③	Handle		1	PA46	Black
②	Cover		1	SUS	Natural
①	Base		1	PA46	Black

YUANDI® Yuandi Electronics Co, Ltd

design	date	name	TOGGLE SWITCH
Review	date	model	TA-3522-A□
Approved	date		

angle	±2'	Drawing number:							
10~30	±0.30								
5~10	±0.20								
~ 5	±0.10								
modify	Review	Approved	Tolerance not specified	Proportion	1:1	unit	mm	gape number	A4