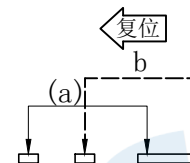
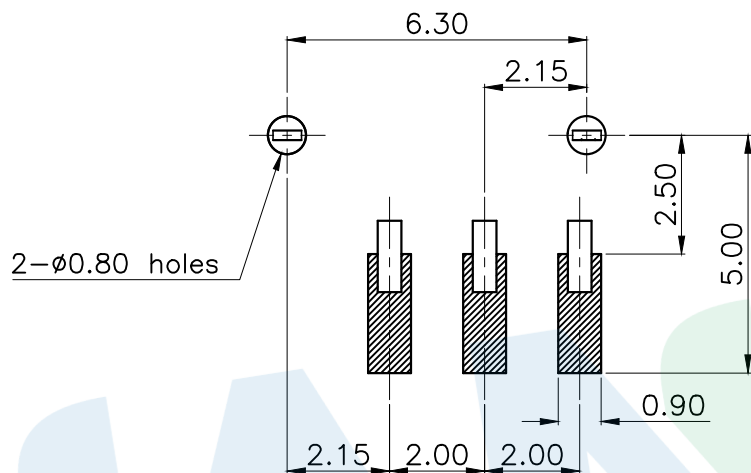
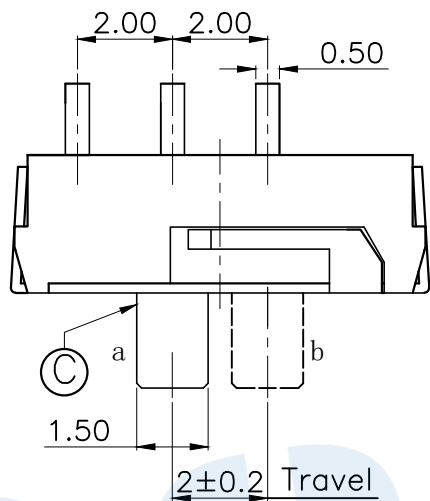
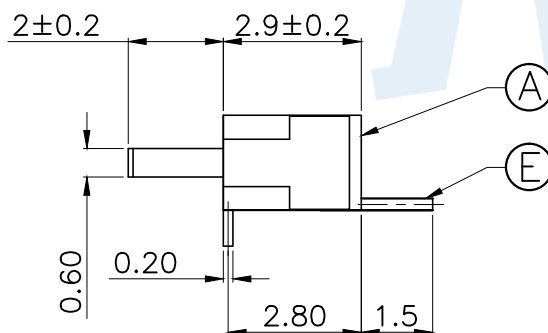
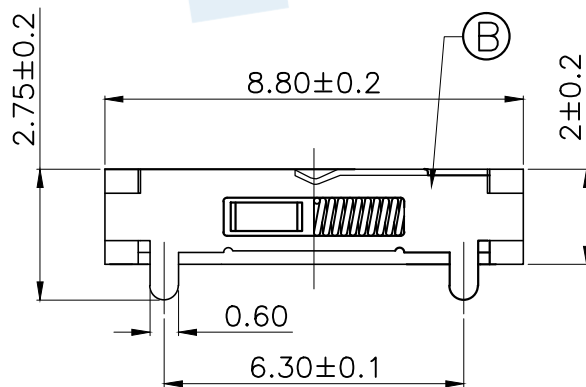


RoHS



Circuit Diagram

PCB Layout(Pattern side)



Code	H	Operating force
A1	2.0	150±100gf

Ⓕ	Spring		1	SUS	Natural
Ⓖ	Terminal		3	Brass	Silver
Ⓓ	Contact reed		1	Beryllium copper	Silver covered
Ⓒ	Handle		1	PA46	Black
Ⓑ	Cover		1	SUS	Silver
Ⓐ	Base		1	LCP	Black
NO.	Name	Number	Qty	Materil	Remarks

**YUANDI**® Yuandi Electronics Co, Ltd

design	date	name	TOGGLE SWITCH
Review	date	model	TA-3523-A□
Approved	date		

Drawing number: Proportion 1:1 unit mm gage number A4

modify Review Approved Tolerance not specified

angle	±2'
10~30	±0.30
5~10	±0.20
~ 5	±0.10