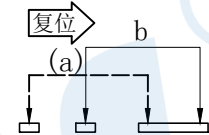
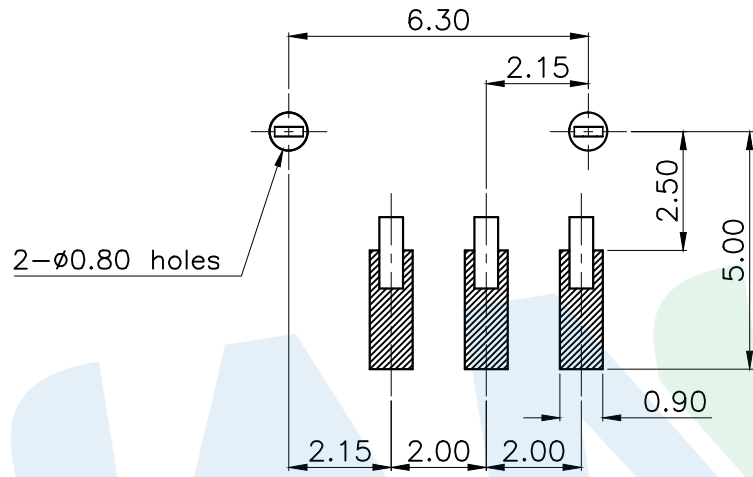
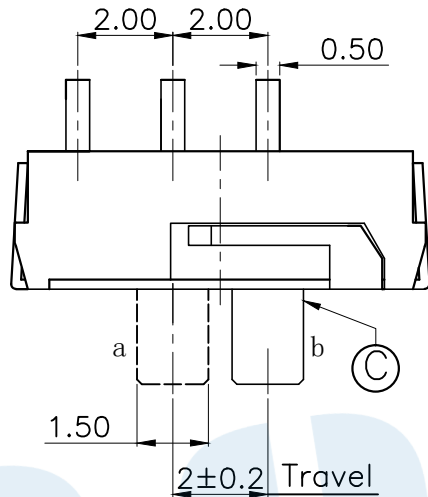
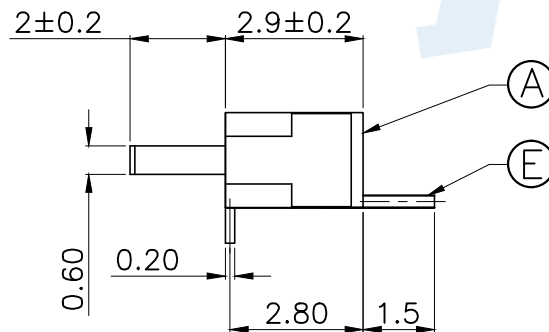
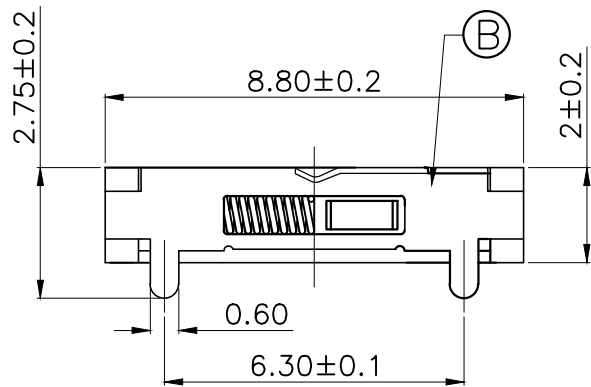


RoHS



Circuit Diagram

PCB Layout(Pattern side)



| Code | H | Operating force |
|------|-----|-----------------|
| A1 | 2.0 | 150±100gf |

| Ⓕ | Spring | | 1 | SUS | Natural |
|-----|--------------|--------|-----|------------------|----------------|
| Ⓖ | Terminal | | 3 | Brass | Silver |
| Ⓓ | Contact reed | | 1 | Beryllium copper | Silver covered |
| Ⓒ | Handle | | 1 | PA46 | Black |
| Ⓑ | Cover | | 1 | SUS | Silver |
| Ⓐ | Base | | 1 | LCP | Black |
| NO. | Name | Number | Qty | Materil | Remarks |

YUANDI® Yuandi Electronics Co, Ltd
元迪

| | | | |
|----------|------|-------|---------------|
| design | date | name | TOGGLE SWITCH |
| Review | date | model | TA-3523A-A□ |
| Approved | date | | |

Drawing number: Proportion 1:1 unit mm gage number A4

modify Review Approved Tolerance not specified

| | |
|-------|-------|
| angle | ±2' |
| 10~30 | ±0.30 |
| 5~10 | ±0.20 |
| ~ 5 | ±0.10 |