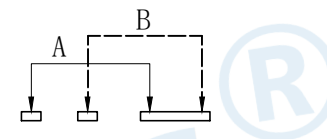
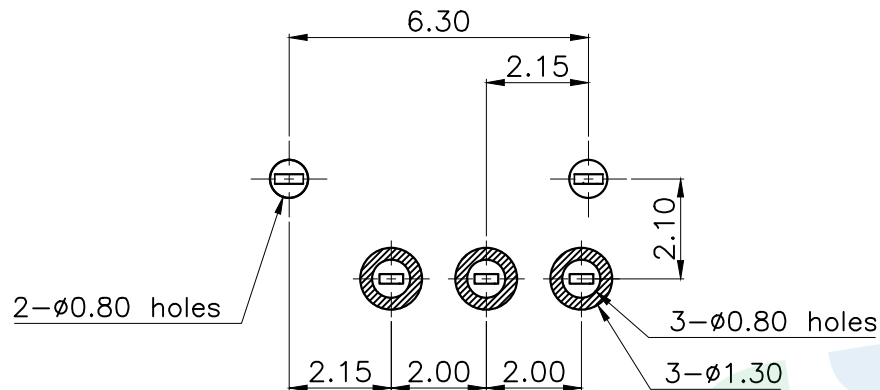
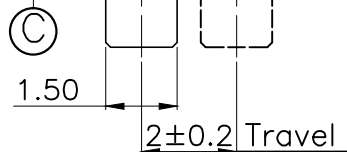
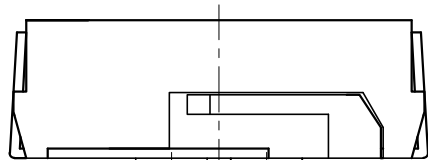
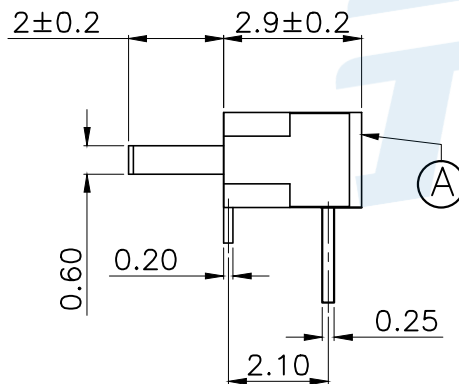
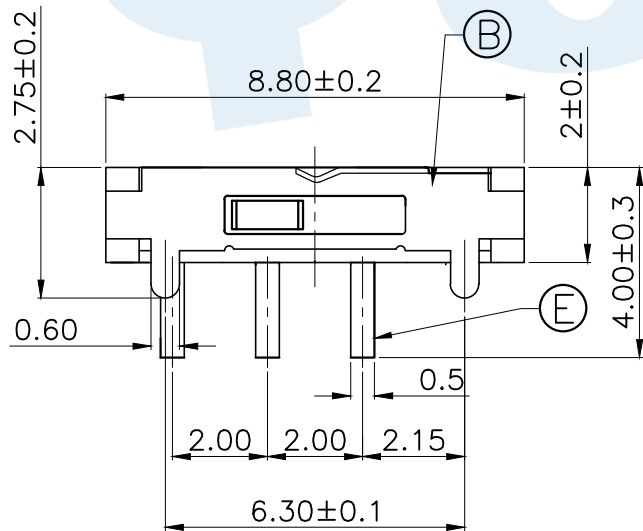


RoHS



Circuit Diagram

PCB Layout (Pattern side)



Code	H	Operating force
A1	2.0	150±100gf

NO.	Name	Number	Qty	Materil	Remarks
⑤	Terminal		3	Brass	Silver
④	Contact reed		1	Beryllium copper	Silver covered
③	Handle		1	PA46	Black
②	Cover		1	SUS	Silver
①	Base		1	PA46	Black

YUANDI® Yuandi Electronics Co, Ltd

design	date	name
Review	date	TOGGLE SWITCH
Approved	date	model TA-3523B-A□

Drawing number: Proportion 1:1 unit mm gage number A4

modify Review Approved Tolerance not specified