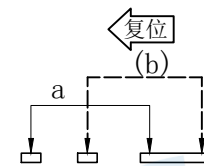
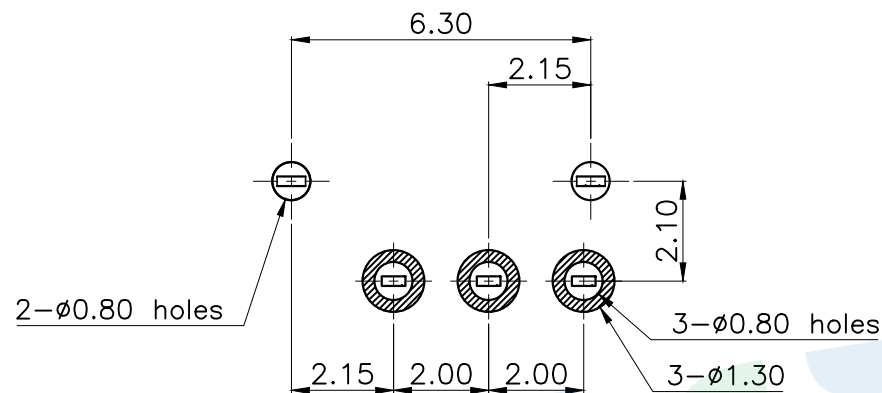
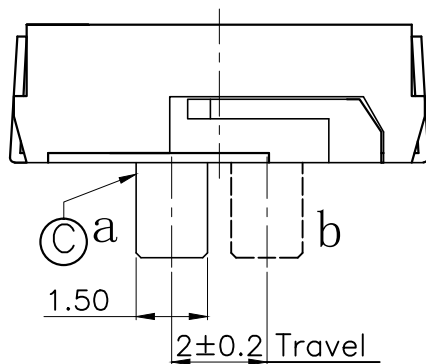
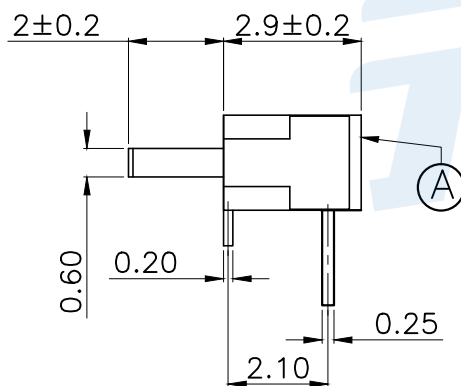
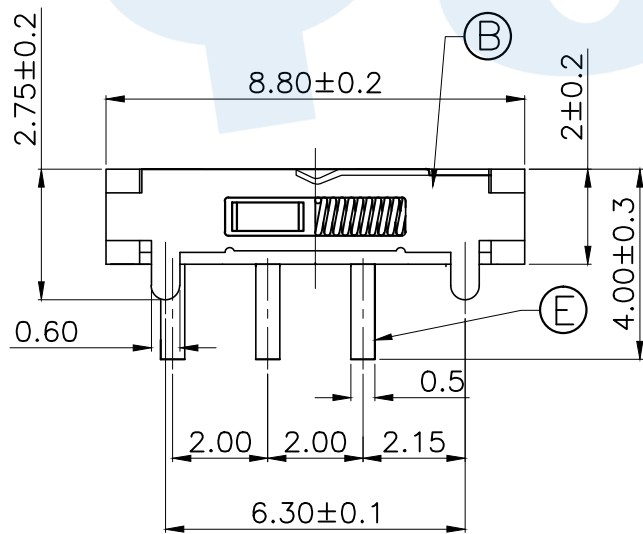


RoHS



Circuit Diagram

PCB Layout (Pattern side)



Code	H	Operating force
A1	2.0	150±100gf

Ⓕ	Spring		1	SUS	Natural
Ⓖ	Terminal		3	Brass	Silver
Ⓓ	Contact reed		1	Beryllium copper	Silver covered
Ⓒ	Handle		1	PA46	White
Ⓑ	Cover		1	SUS	Silver
Ⓐ	Base		1	PA46	Black
NO.	Name	Number	Qty	Materil	Remarks

YUANDI® Yuandi Electronics Co, Ltd

					angle	±2'		design	date		name	TOGGLE SWITCH		
					10~30	±0.30		Review	date		model	TA-3523C-A□		
					5~10	±0.20		Approved	date					
					~ 5	±0.10		Drawing number:						
					modify	Review	Approved	Tolerance not specified	Proportion	1:1	unit	mm	gape number	A4