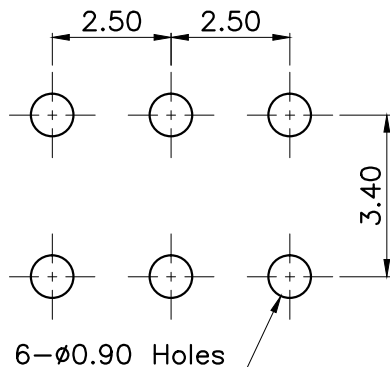
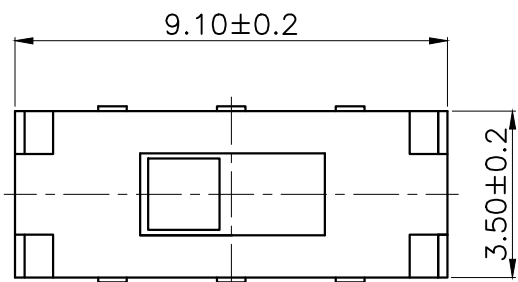
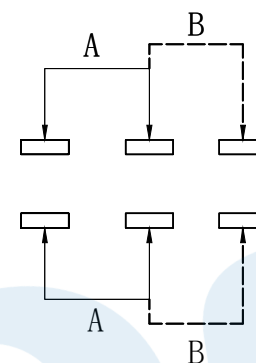


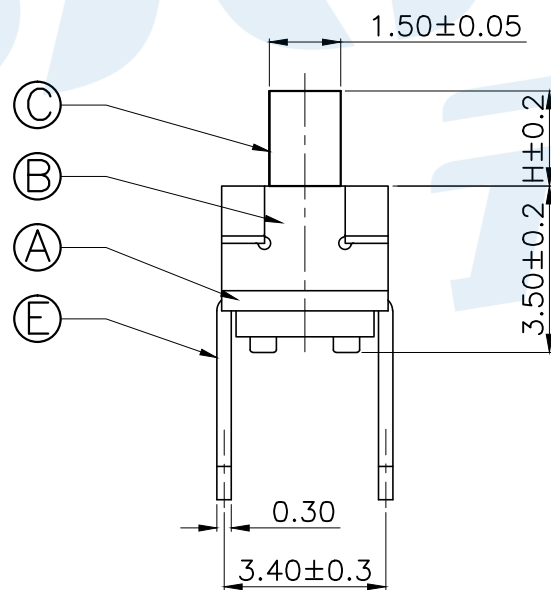
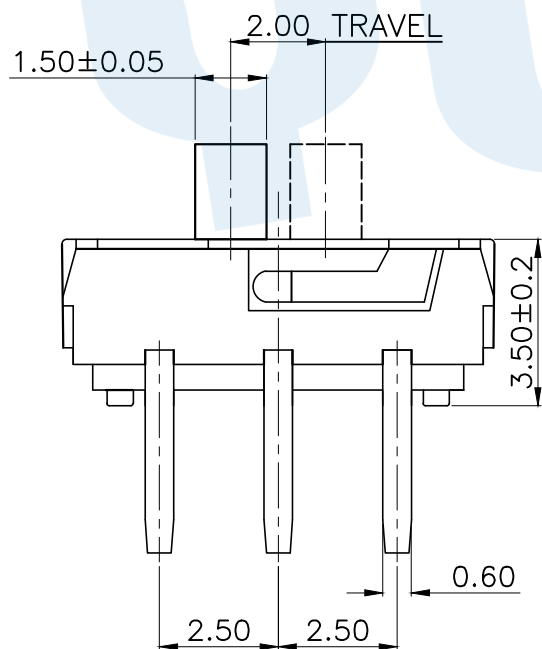
RoHS



PCB Layout(Pattern side)



Circuit Diagram



Code	H	Operating force
A1	2.0	200±80gf
A2	3.0	
A3	4.0	

Ⓔ	Terminal	6	Brass	Silver	
Ⓓ	Contact reed	2	Beryllium copper	Silver covered	
Ⓒ	Handle	1	PA46	Black	
Ⓑ	Cover	1	SUS	Natural	
Ⓐ	Base	1	PA46	Black	
NO.	Name	Number	Qty	Materil	Remarks

YUANDI® Yuandi Electronics Co, Ltd

design	date	name	TOGGLE SWITCH
Review	date	model	TA-3530-A□
Approved	date		
Drawing number:			
modify	Review	Approved	Tolerance not specified
Proportion	1:1	unit	mm
gape number			A4

angle	±2'
10~30	±0.30
5~10	±0.20
~ 5	±0.10