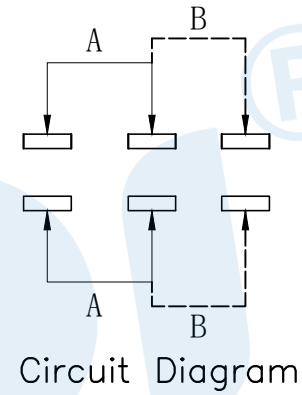
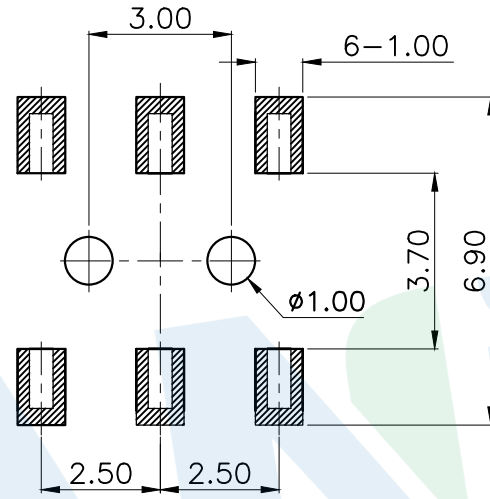
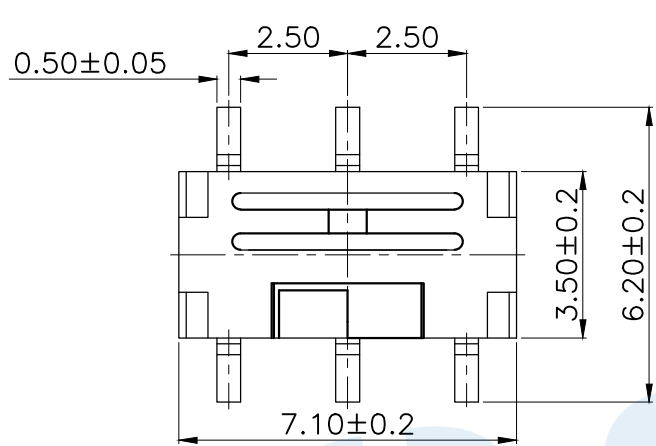
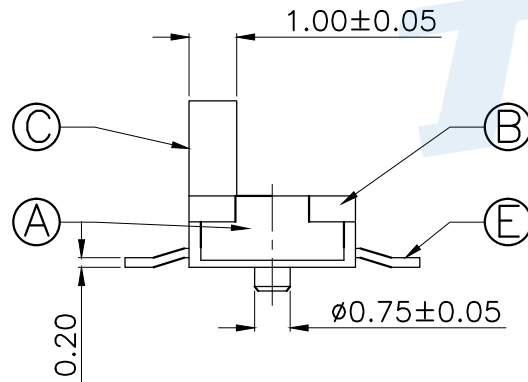
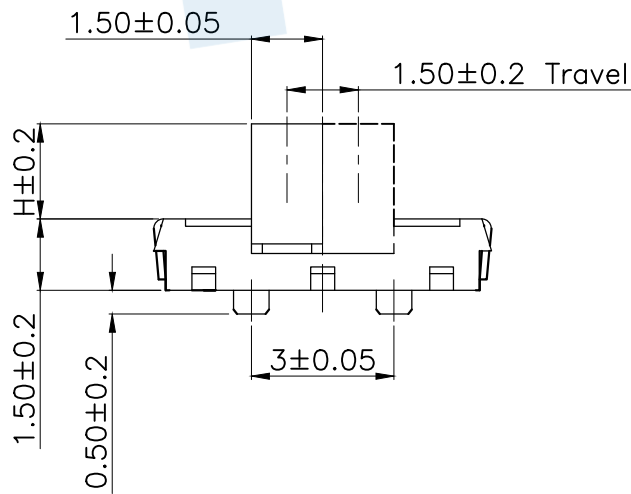


RoHS



PCB Layout(Pattern side)



Code	H	Operating force
A1	1.0	150±50gf
A2	1.5	
A3	2.0	

NO.	Name	Number	Qty	Materil	Remarks
⑤	Terminal		6	Brass	Silver
④	Contact reed		2	Beryllium copper	Silver covered
③	Handle		1	Nylon	Black
②	Cover		1	SUS	Silver
①	Base		1	LCP	Black

YUANDI® Yuandi Electronics Co, Ltd

design	date	name	TOGGLE SWITCH
Review	date	model	TA-3535S-A□
Approved	date		

Drawing number: Proportion 1:1 unit mm gage number A4

modify Review Approved Tolerance not specified

angle	±2'
10~30	±0.30
5~10	±0.20
~ 5	±0.10