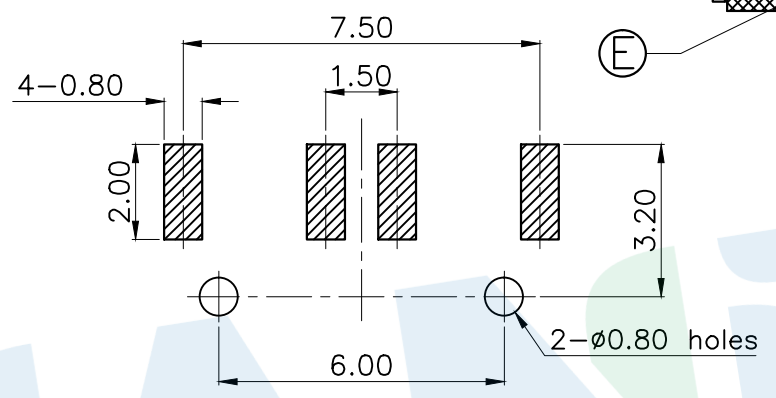
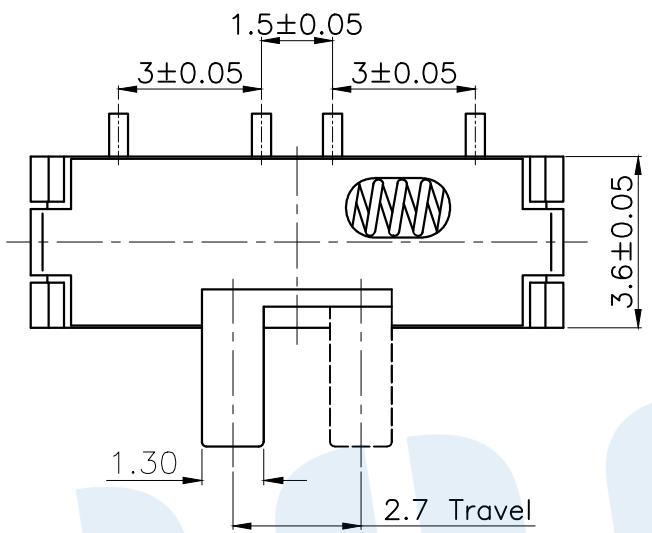
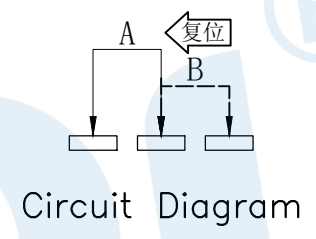
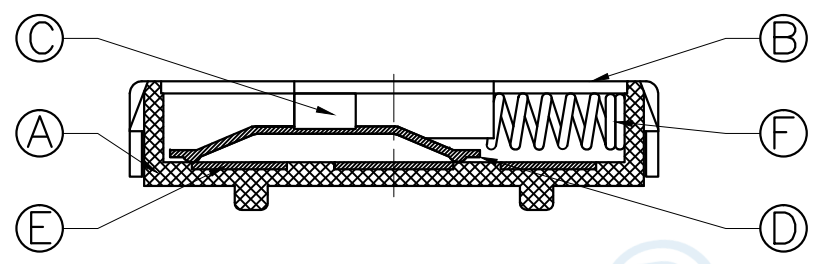


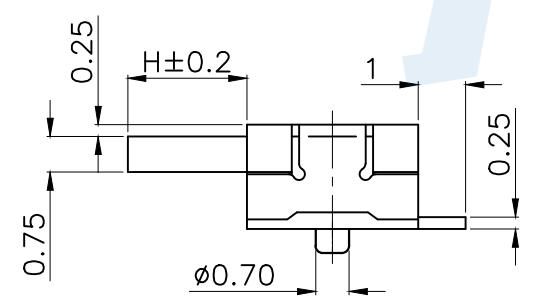
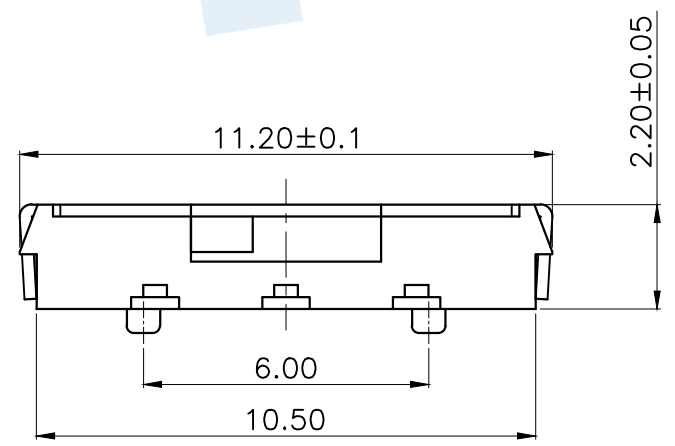
RoHS



PCB Layout(Pattern side)



Code	H	Operating force
A1	1.5	250±100gf
A2	2.0	



NO.	Name	Number	Qty	Materil	Remarks
Ⓣ	Spring		1	SUS	Natural
ⓔ	Terminal		4	Brass	Silver
ⓓ	Contact reed		1	Phosphor Bronze	Silver covered
Ⓒ	Handle		1	Nylon	Black
Ⓑ	Cover		1	SUS	Silver
Ⓐ	Base		1	LCP	Black

YUANDI® Yuandi Electronics Co, Ltd

design	date	name	TOGGLE SWITCH
Review	date	model	TA-3540-A□
Approved	date	Drawing number:	
angle	±2'	Proportion	1:1
10~30	±0.30	unit	mm
5~10	±0.20	mm	gape number
~ 5	±0.10	A4	
modify	Review	Approved	Tolerance not specified