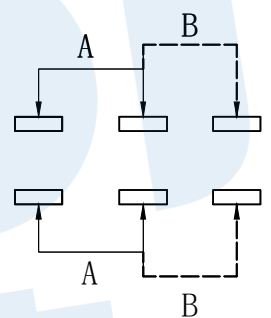
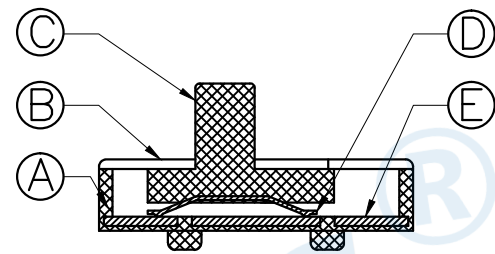
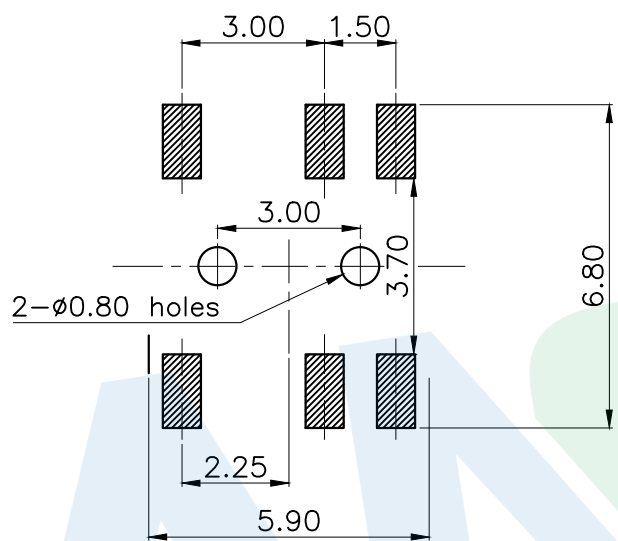
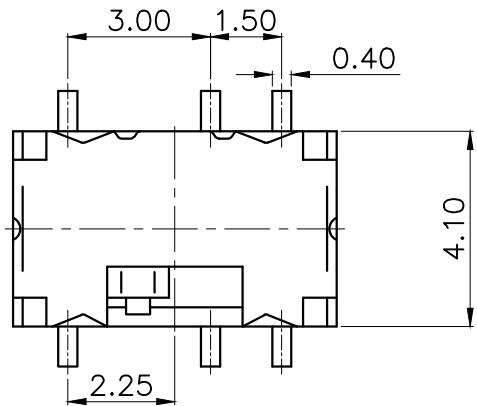
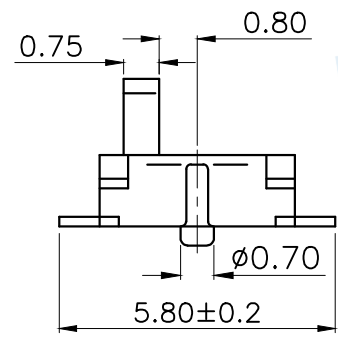
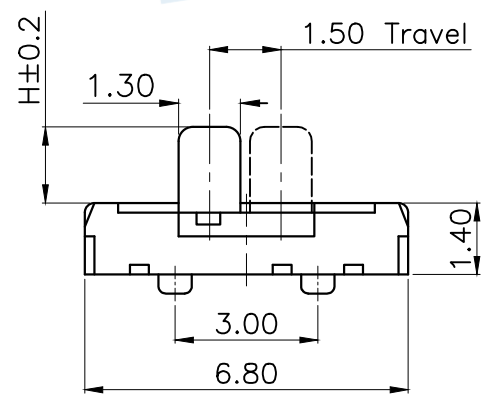


RoHS



PCB Layout(Pattern side)

Circuit Diagram



Code	H	Operating force
A1	1.5	250±100gf
A2	2.0	

Ⓕ	Shrapnel		1	SUS	Natural
Ⓖ	Terminal		6	Brass	Silver
Ⓓ	Contact reed		2	Phosphor Bronze	Silver covered
Ⓒ	Handle		1	PPA	Black
Ⓑ	Cover		1	Phosphor Copper	Silver
Ⓐ	Base		1	LCP	Black
NO.	Name	Number	Qty	Materil	Remarks

**YUANDI®** Yuandi Electronics Co, Ltd

					angle	±2'		design	date		name	TOGGLE SWITCH		
					10~30	±0.30		Review	date		model	TA-3541A-A□		
					5~10	±0.20		Approved	date					
					~ 5	±0.10		Drawing number:						
					modify	Review	Approved	Tolerance not specified	Proportion	1:1	unit	mm	gape number	A4