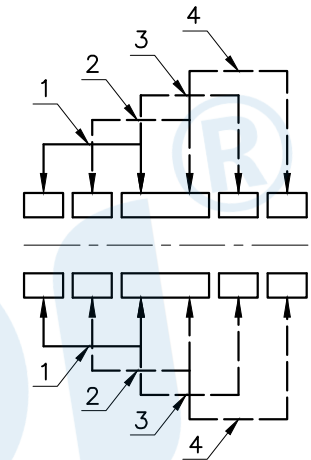
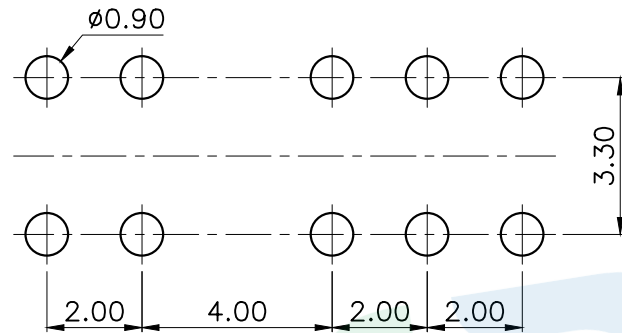
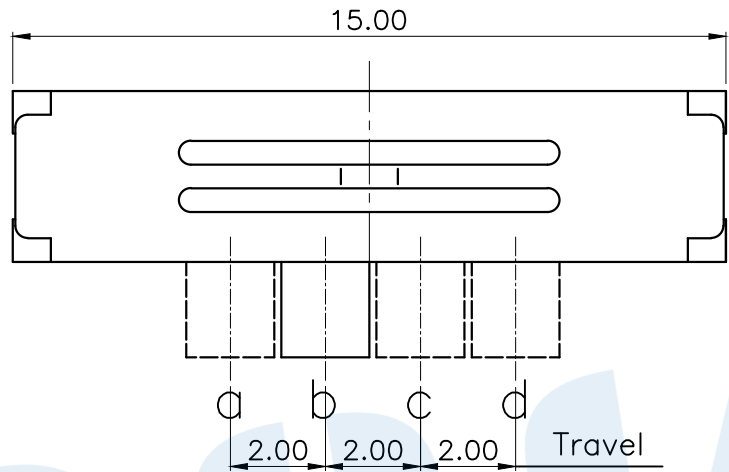
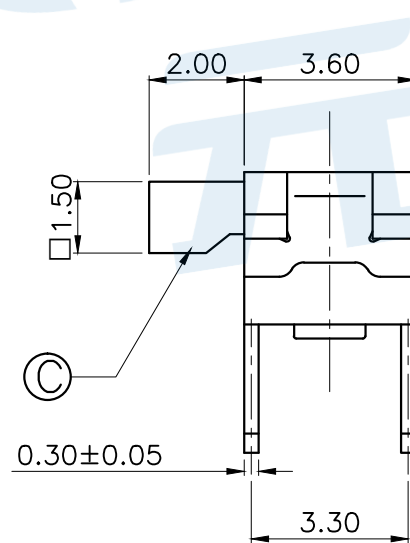
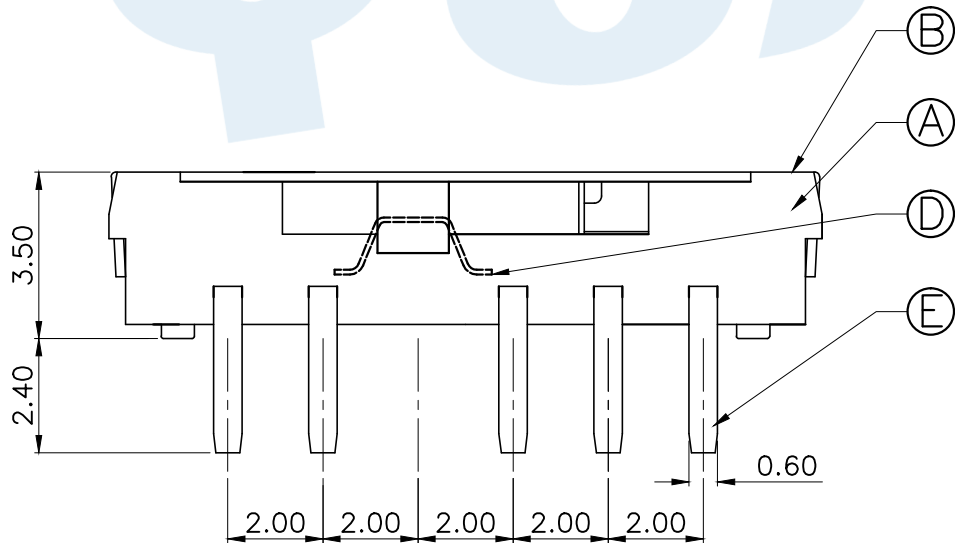


RoHS



PCB Layout(Pattern side)

Circuit Diagram



Code	H	Operating force
A1	2.0	200±80gf

NO.	Name	Number	Qty	Materil	Remarks
⑥	Dust film		1	Polyimide tape	
⑤	Terminal		10	Brass	Silver
④	Contact reed		2	Phosphor Bronze	Silver covered
③	Handle		1	Nylon	Black
②	Cover		1	SUS	Silver
①	Base		1	LCP	Black

**YUANDI®** Yuandi Electronics Co, Ltd

design	date	name
Review	date	TOGGLE SWITCH
Approved	date	model TA-3545-A□

Drawing number: Proportion 1:1 unit mm gage number A4

angle	±2'
10~30	±0.30
5~10	±0.20
~ 5	±0.10

modify Review Approved Tolerance not specified