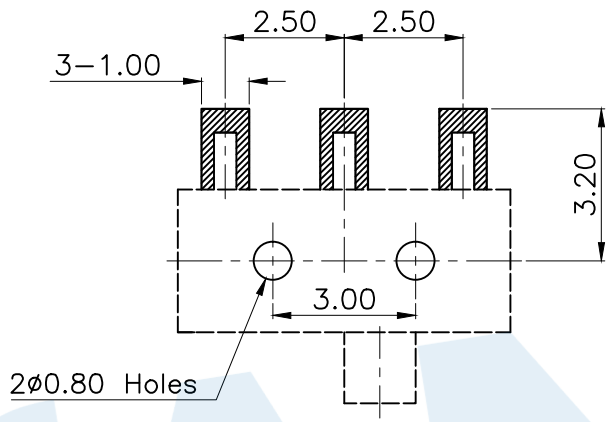
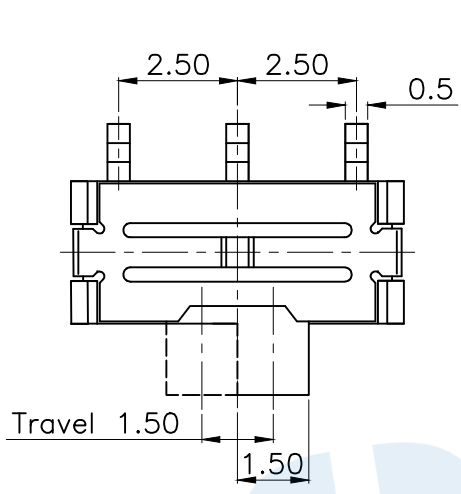
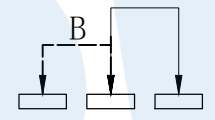
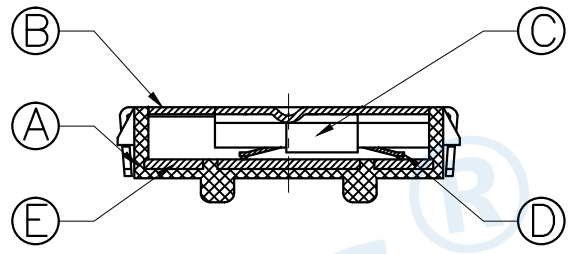


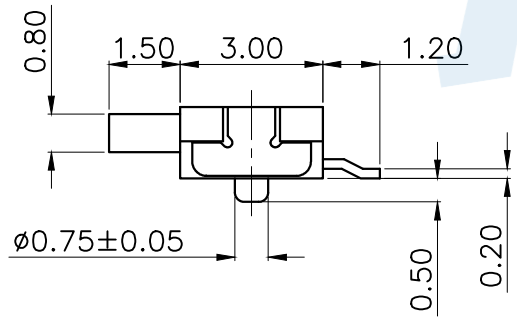
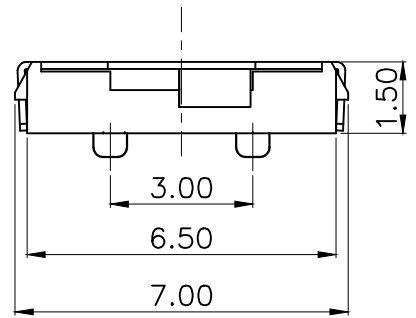
RoHS



PCB Layout(Pattern side)



Circuit Diagram



Code	H	Operating force
A1	1.5	180±50gf

NO.	Name	Number	Qty	Materil	Remarks
⑤	Terminal		3	Brass	Silver
④	Contact reed		1	Beryllium copper	Silver covered
③	Handle		1	PA46	Black
②	Cover		1	SUS	Silver
①	Base		1	LCP	Black

**YUANDI®** Yuandi Electronics Co, Ltd

					angle	±2'		design	date		name	TOGGLE SWITCH		
					10~30	±0.30		Review	date		model	TA-3542-A□		
					5~10	±0.20		Approved	date					
					~ 5	±0.10		Drawing number:						
					modify	Review	Approved	Tolerance not specified	Proportion	1:1	unit	mm	gape number	A4