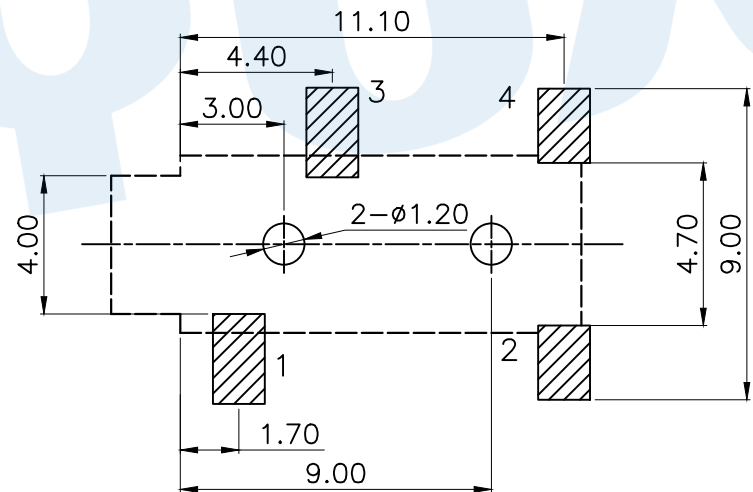
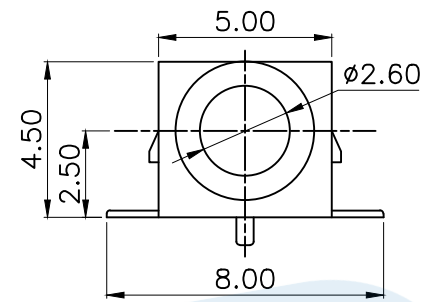
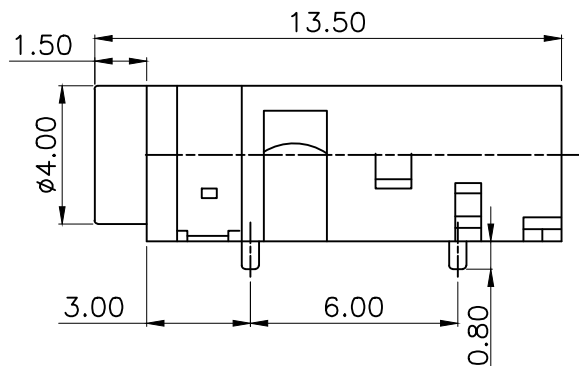


RoHS



P.C.B LAYOUT(Copper-side view)

Model No.	PJ-202A-A	PJ-202A-B	PJ-202A-C
Schematic			

Rating:0.5A 30V DC  
 Contact Resistance:100 mΩ Max.  
 Operating temperature:-20 ~70  
 Operating force:3-20N  
 Operating Life:5,000cycles

NO.	Name	Number	Qty	Materil	Remarks
Ⓑ	Terminal		4	Phosphor bronze	Ag Plating
Ⓐ	Housing		1	Nylon	Black

**YUANDI**® Yuandi Electronics Co, Ltd

design	date	name	PHONE JACKES
Review	date	model	PJ-202A
Approved	date		

Drawing number:   
 Proportion 1:1 unit mm gage number A4

modify Review Approved Tolerance not specified