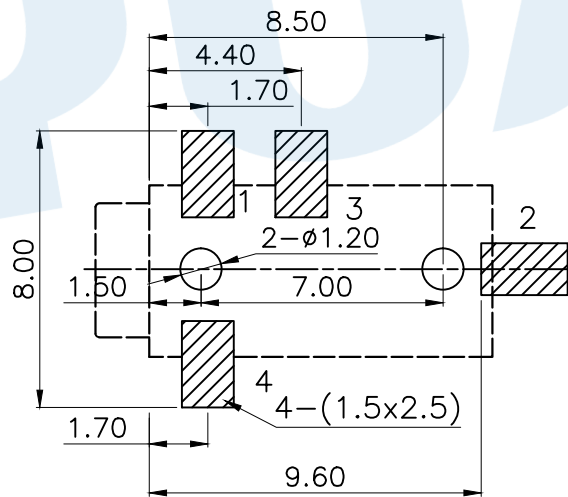
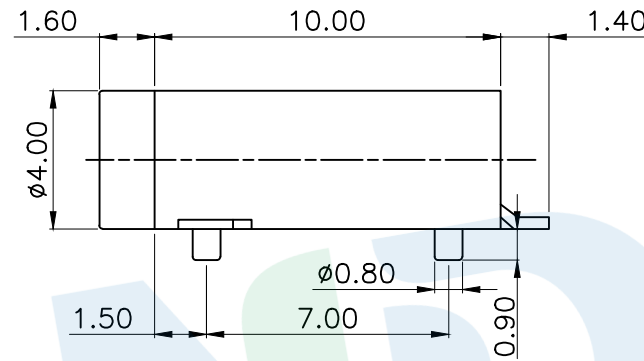
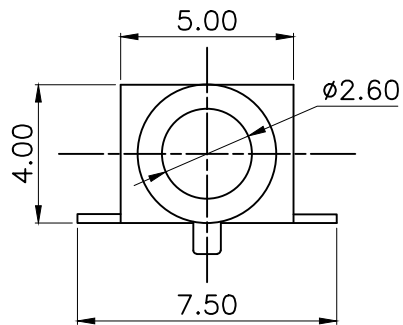


RoHS



P.C.B LAYOUT(Copper-side view)

Model No.	PJ-226-A	PJ-226-B
Schematic		

Rating:0.5A 30V DC
 Contact Resistance:100 mΩ Max.
 Operating temperature:-20 ~70
 Operating force:3-20N
 Operating Life:5,000cycles

NO.	Name	Number	Qty	Materil	Remarks
Ⓑ	Terminal		4	Phosphor bronze	Ag Plating
Ⓐ	Housing		1	Nylon	Black

YUANDI® Yuandi Electronics Co, Ltd

design	date	name	PHONE JACKES
Review	date	model	PJ-226
Approved	date		
Drawing number:			
angle	±2'	design	date
10~30	±0.30	Review	date
5~10	±0.20	Approved	date
~ 5	±0.10		
modify	Review	Approved	Tolerance not specified
Proportion	1:1	unit	mm
gape number	A4		