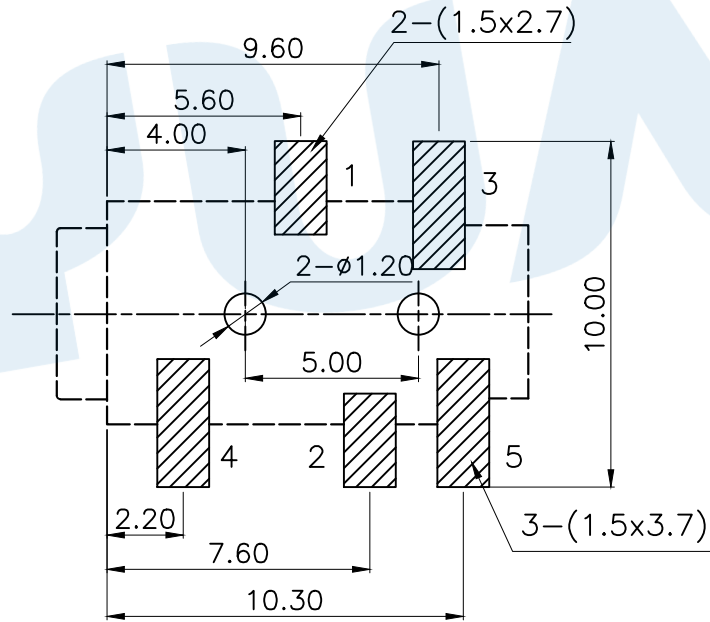
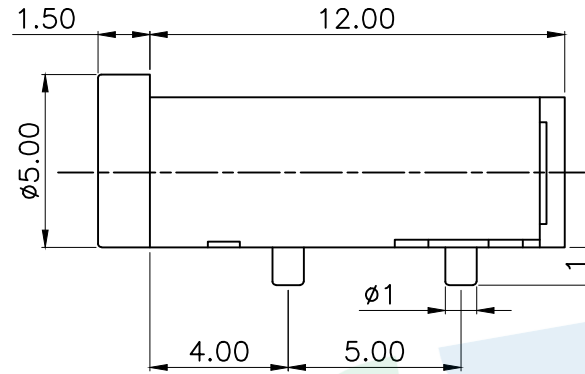
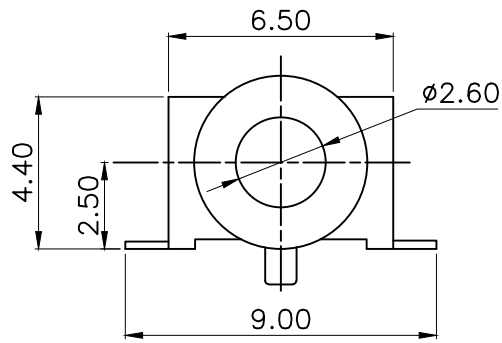


RoHS



P.C.B LAYOUT(Copper-side view)

Model No.	PJ-225-A	PJ-225-B
Schematic		

Rating:0.5A 30V DC  
 Contact Resistance:100 mΩ Max.  
 Operating temperature:-20 ~70  
 Operating force:3-20N  
 Operating Life:5,000cycles

NO.	Name	Number	Qty	Materil	Remarks
Ⓑ	Terminal		5	Phosphor bronze	Au Plating
Ⓐ	Housing		1	Nylon	Black

**YUANDI®** Yuandi Electronics Co, Ltd

design	date	name	PHONE JACKES
Review	date	model	PJ-225
Approved	date		

Drawing number: modify Review Approved Tolerance not specified Proportion 1:1 unit mm gage number A4