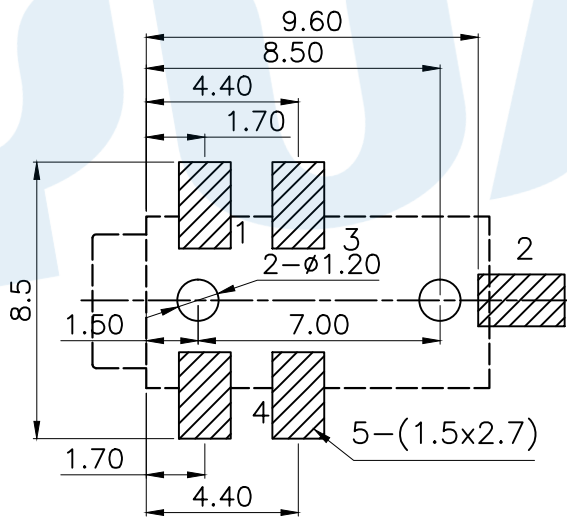
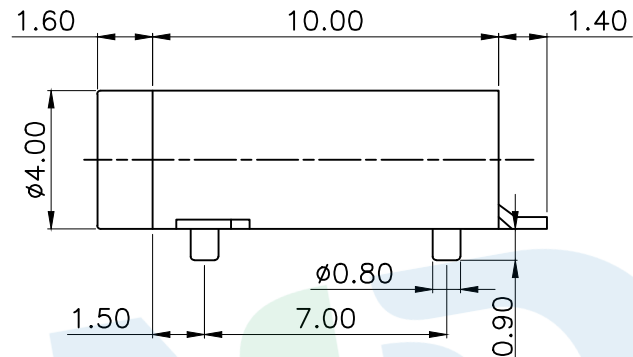
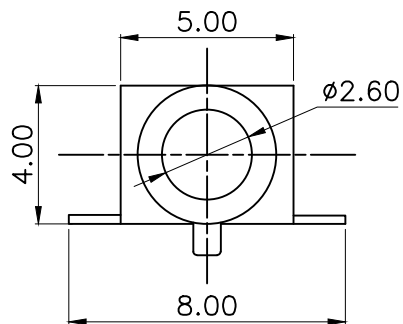


RoHS



P.C.B LAYOUT(Copper-side view)

Model No.	PJ-227-A	PJ-227-B
Schematic		
Model No.	PJ-227-C	PJ-227-D
Schematic		

Rating:0.5A 30V DC
 Contact Resistance:100 mΩ Max.
 Operating temperature:-20 ~70
 Operating force:3-20N
 Operating Life:5,000cycles

Ⓑ	Terminal		5	Phosphor bronze	Ag Plating
Ⓐ	Housing		1	Nylon	Black
NO.	Name	Number	Qty	Materil	Remarks
YUANDI® Yuandi Electronics Co, Ltd					

design	date	name	PHONE JACKES
Review	date	model	PJ-227
Approved	date		

Drawing number:
 modify Review Approved Tolerance not specified Proportion 1:1 unit mm gage number A4