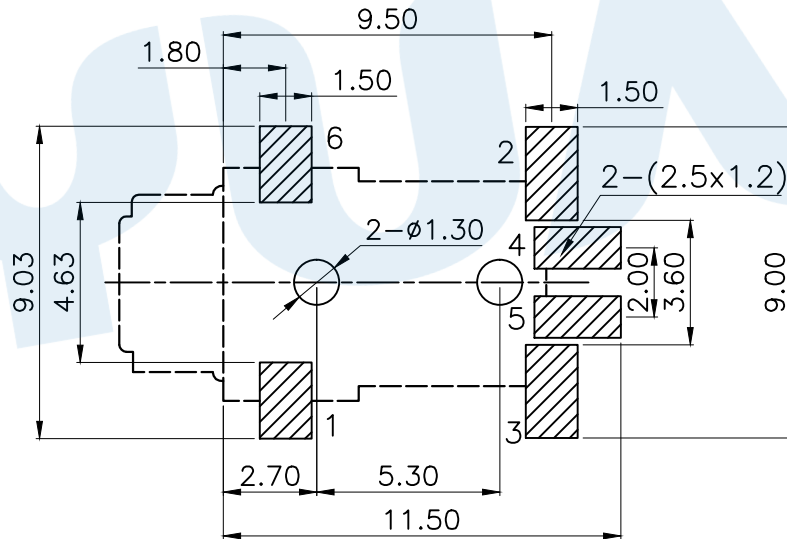
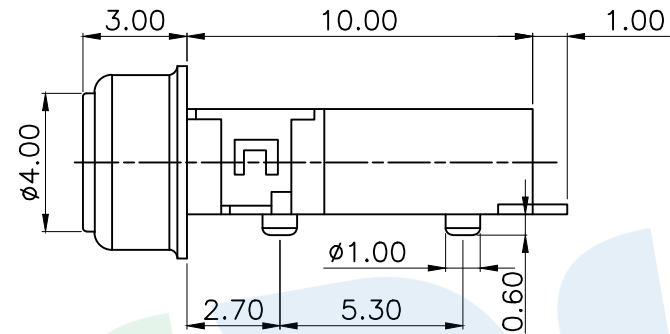
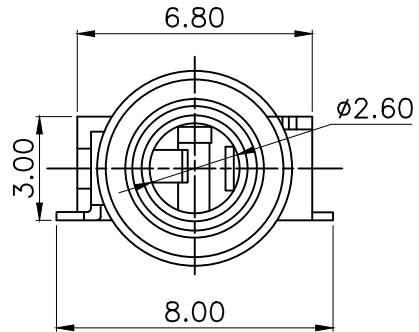


RoHS



P.C.B LAYOUT(Copper-side view)

Model No.	PJ-231A-A	PJ-231A-B
Schematic		

Rating:0.5A 30V DC  
 Contact Resistance:100 mΩ Max.  
 Operating temperature:-20 ~70  
 Operating force:3-20N  
 Operating Life:5,000cycles

⑥	Terminal		6	Phosphor bronze	Ag Plating
①	Housing		1	Nylon	Black
NO.	Name	Number	Qty	Materil	Remarks
<b>YUANDI® Yuandi Electronics Co, Ltd</b>					

design	date	name	PHONE JACKES
Review	date	model	PJ-231A
Approved	date		

angle	±2'	Design number:	
10~30	±0.30	Proportion	1:1
5~10	±0.20	unit	mm
~ 5	±0.10	mm	gape number
modify	Review	Approved	Tolerance not specified