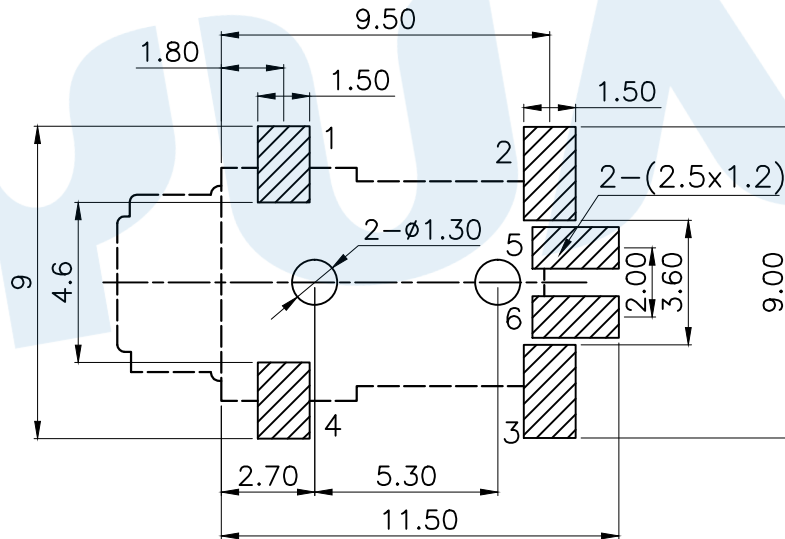
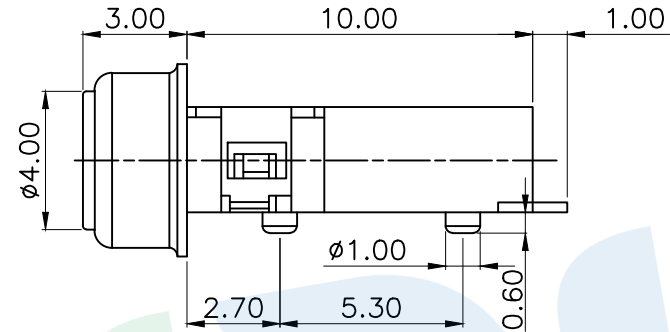
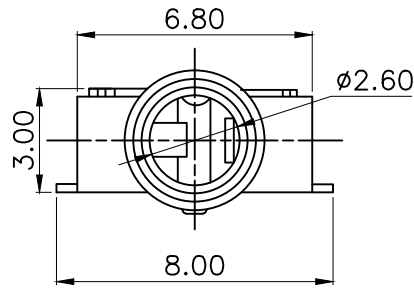


RoHS



P.C.B LAYOUT(Copper-side view)

Model No.	PJ-231B-A	PJ-231B-B
Schematic		
Model No.	PJ-231B-C	
Schematic		

Rating:0.5A 30V DC  
 Contact Resistance:100 mΩ Max.  
 Operating temperature:-20 ~70  
 Operating force:3-20N  
 Operating Life:5,000cycles

Ⓑ	Terminal		6	Phosphor bronze	Ag Plating
Ⓐ	Housing		1	Nylon	Black
NO.	Name	Number	Qty	Materil	Remarks
<b>YUANDI® Yuandi Electronics Co, Ltd</b>					

design	date	name	PHONE JACKES
Review	date	model	PJ-231B
Approved	date		

angle	±2'	design	date	name	PHONE JACKES
10~30	±0.30	Review	date	model	PJ-231B
5~10	±0.20	Approved	date		
~ 5	±0.10	Drawing number:			
modify	Review	Approved	Tolerance not specified	Proportion	1:1
				unit	mm
				gape number	A4