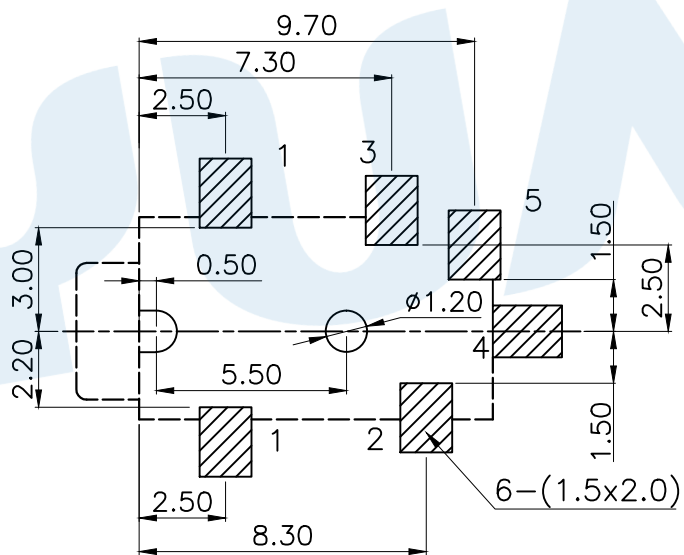
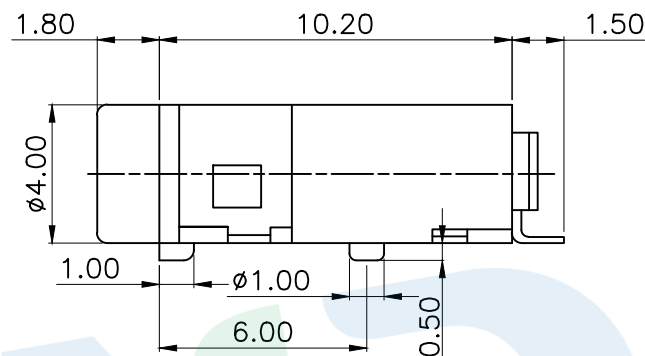
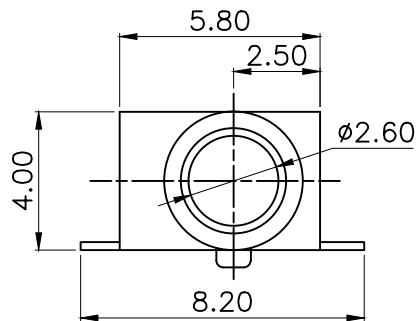


RoHS



P.C.B LAYOUT(Copper-side view)

Model No.	PJ-234-A	PJ-234-B
Schematic		
Model No.	PJ-234-C	
Schematic		

Rating:0.5A 30V DC
 Contact Resistance:100 mΩ Max.
 Operating temperature:-20 ~70
 Operating force:3-20N
 Operating Life:5,000cycles

Ⓑ	Terminal		6	Phosphor bronze	Ag Plating
Ⓐ	Housing		1	Nylon	Black
NO.	Name	Number	Qty	Materil	Remarks
YUANDI® Yuandi Electronics Co, Ltd					

design	date	name	PHONE JACKES
Review	date	model	PJ-234
Approved	date		

angle	±2'	10~30	±0.30	5~10	±0.20	~ 5	±0.10	Drawing number:	modify	Review	Approved	Tolerance not specified	Proportion	1:1	unit	mm	gape number	A4
-------	-----	-------	-------	------	-------	-----	-------	-----------------	--------	--------	----------	-------------------------	------------	-----	------	----	-------------	----