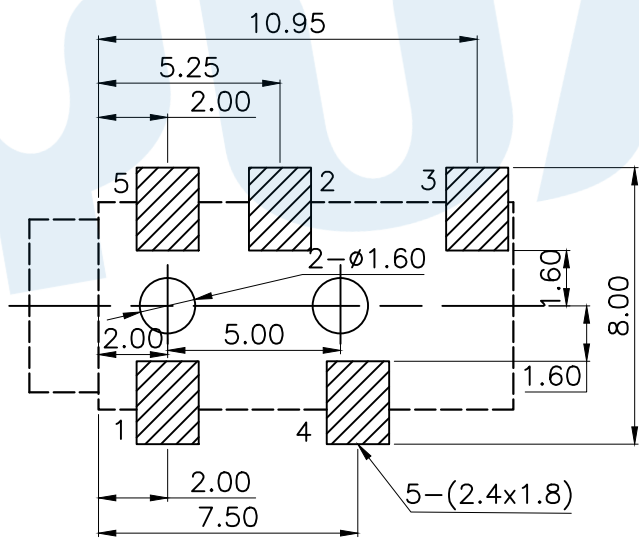
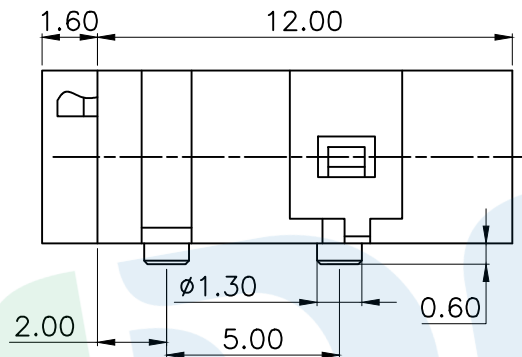
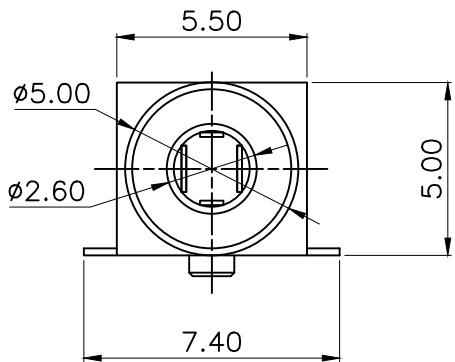


RoHS



P.C.B LAYOUT(Copper-side view)

Rating:0.5A 30V DC
 Contact Resistance:100 mΩ Max.
 Operating temperature:-20 ~70
 Operating force:3-20N
 Operating Life:5,000cycles

Model NO	PJ-251
Schematic	

Terminal		5	Phosphor bronze	Ag Plating	
Housing		1	Nylon	Black	
NO.	Name	Number	Qty	Materil	Remarks
YUANDI® Yuandi Electronics Co, Ltd 					

design	date	name	PHONE JACKES
Review	date	model	PJ-251
Approved	date		

angle	±2'	10~30	±0.30	5~10	±0.20	~ 5	±0.10	Drawing number:	Proportion	1:1	unit	mm	gape number	A4
-------	-----	-------	-------	------	-------	-----	-------	-----------------	------------	-----	------	----	-------------	----

modify Review Approved Tolerance not specified Proportion 1:1 unit mm gape number A4