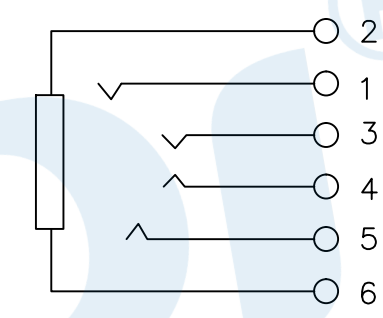
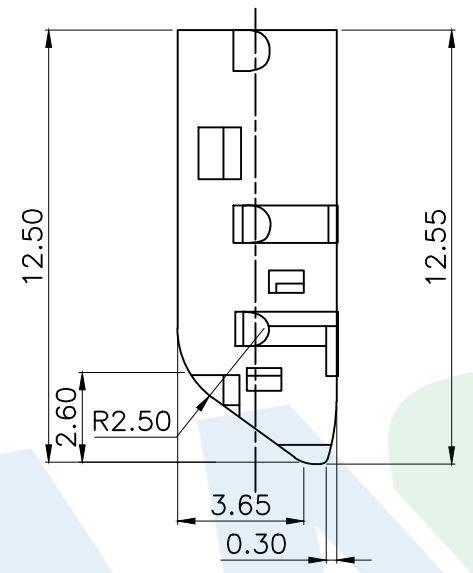
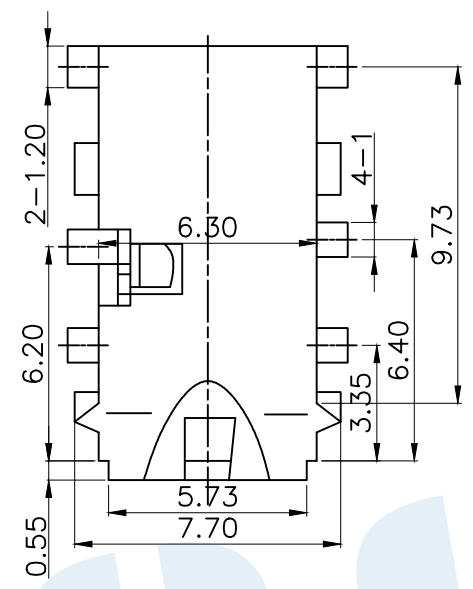
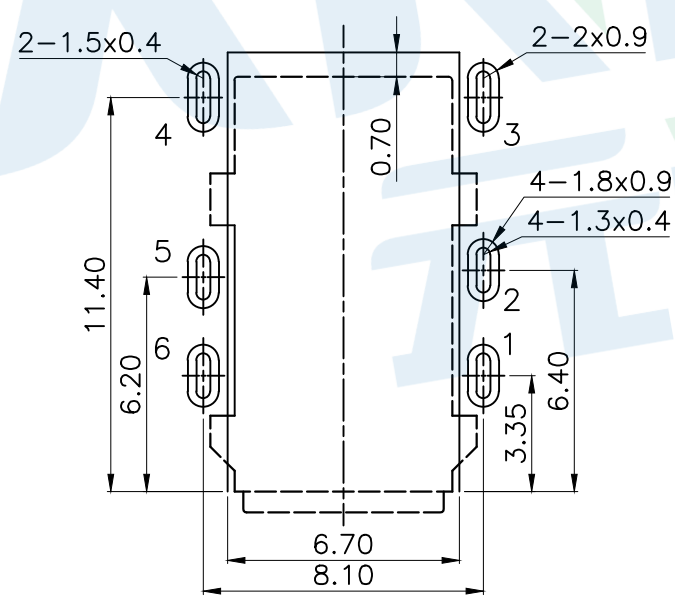
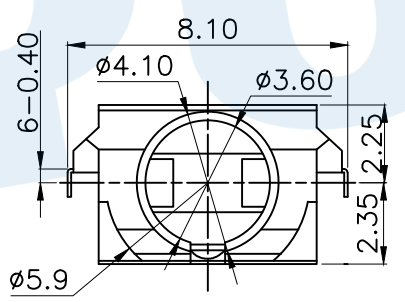


RoHS



CIRCUIT DIAGRAM



P.C.B LAYOUT

Rating:0.5A 30V DC  
 Contact Resistance:100 mΩ Max.  
 Operating temperature:-20 ~70  
 Operating force:3-20N  
 Operating Life:5,000cycles

Ⓑ	Terminal		6	Phosphor bronze	Au Plating
Ⓐ	Housing		1	Nylon	Black
NO.	Name	Number	Qty	Materil	Remarks
<b>YUANDI® Yuandi Electronics Co, Ltd</b>					

design	date	name	PHONE JACKES
Review	date	model	PJ-311
Approved	date		

angle	±2'	design number	
10~30	±0.30	date	
5~10	±0.20	name	
~ 5	±0.10	model	
modify	Review	Approved	Tolerance not specified

Drawing number:	Proportion	1:1	unit	mm	gape number	A4
-----------------	------------	-----	------	----	-------------	----