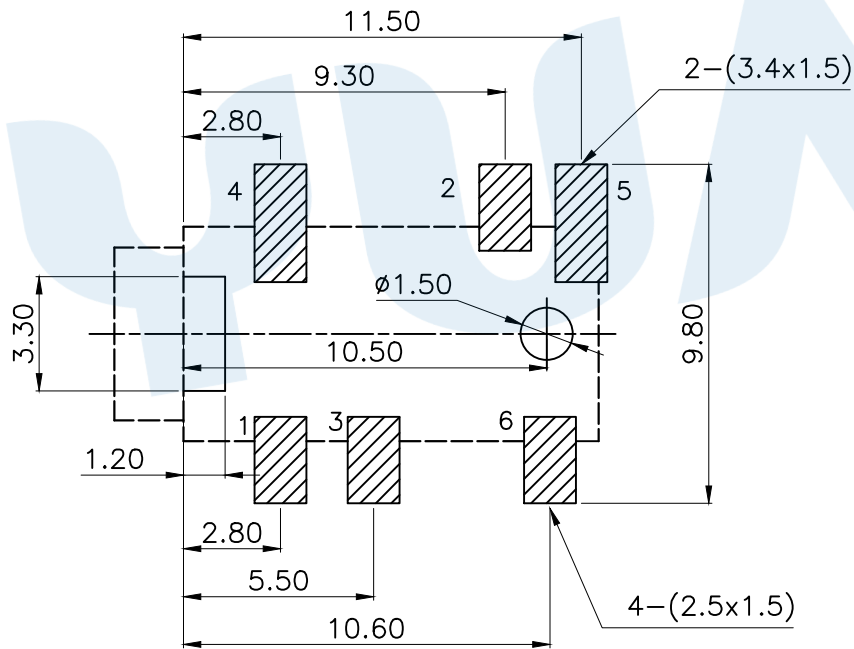
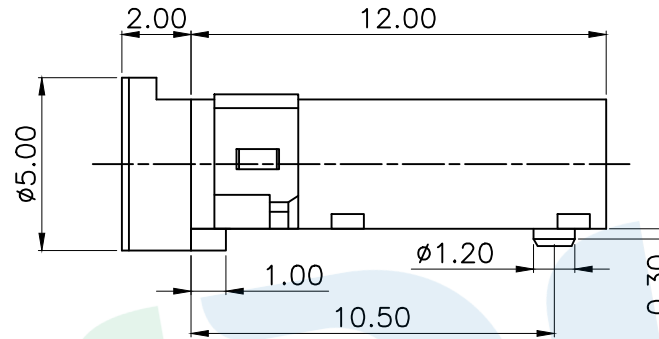
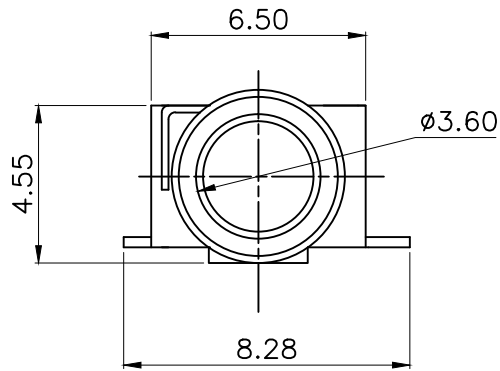


RoHS



P.C.B LAYOUT(Copper-side view)

Model NO	PJ-316A-A	PJ-316A-B	PJ-316A-C
Schematic			
Model NO	PJ-316A-D	PJ-316A-E	PJ-316A-F
Schematic			

Rating:0.5A 30V DC
 Contact Resistance:100 mΩ Max.
 Operating temperature:-20 ~70
 Operating force:3-20N
 Operating Life:5,000cycles

Terminal		6	Phosphor bronze	Au Plating	
Housing		1	Nylon	Black	
NO.	Name	Number	Qty	Materil	Remarks
YUANDI® Yuandi Electronics Co, Ltd					
design	date	name		PHONE JACKES	
Review	date	model		PJ-316A	
Approved	date				

angle	±2'	Drawing number:	design	date	name	PHONE JACKES
10~30	±0.30		Review	date		
5~10	±0.20		Approved	date		
~ 5	±0.10					
Tolerance not specified		Proportion	1:1	unit	mm	gape number
modify	Review	Approved	A4			