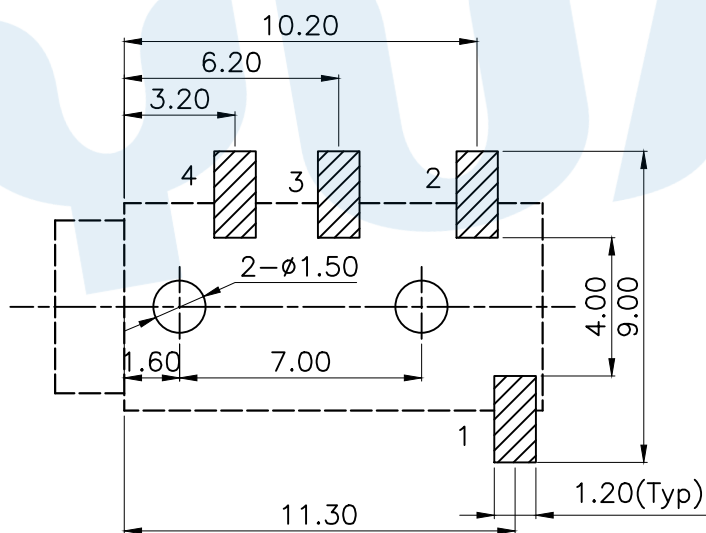
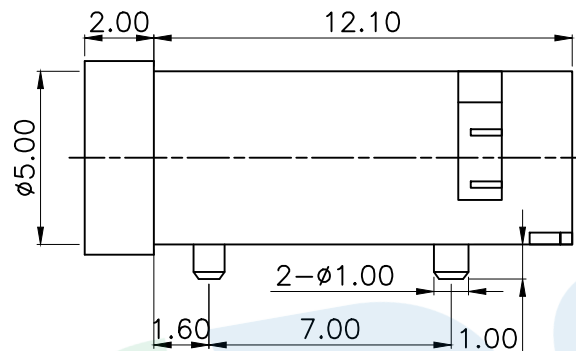
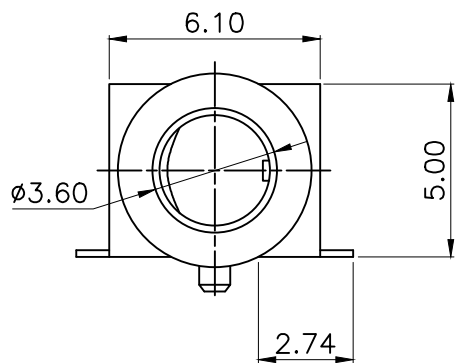


RoHS



P.C.B LAYOUT(Copper-side view)

A=5.6	PJ-320D-A	PJ-320D-B
	PJ-320D-C	PJ-320D-D
A=5.0	PJ-320D-E	PJ-320D-F
Schematic		

Rating:0.5A 30V DC
 Contact Resistance:100 mΩ Max.
 Operating temperature:-20 ~70
 Operating force:3-20N
 Operating Life:5,000cycles

Ⓑ	Terminal		4	Phosphor bronze	Ag Plating
Ⓐ	Housing		1	Nylon	Black
NO.	Name	Number	Qty	Materil	Remarks
YUANDI® Yuandi Electronics Co, Ltd					
design	date	name	PHONE JACKES		
Review	date	model	PJ-320D		
Approved	date	Drawing number:			
Tolerance not specified					
Proportion	1:1	unit	mm	gape number	A4