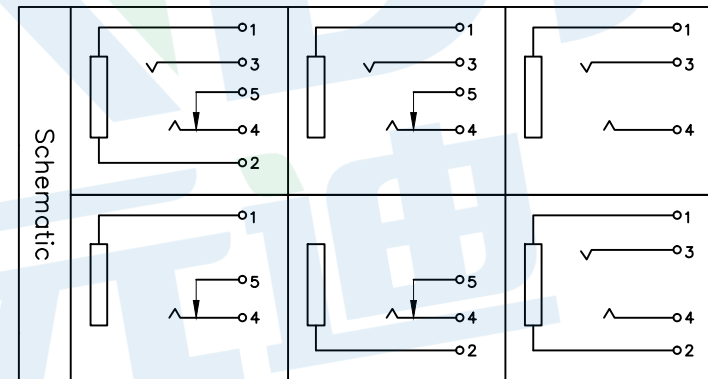
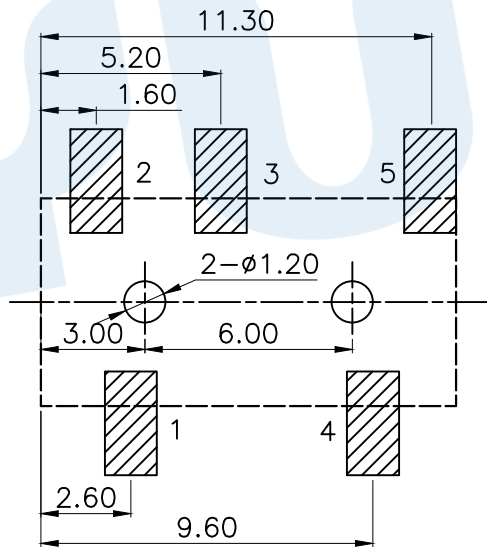
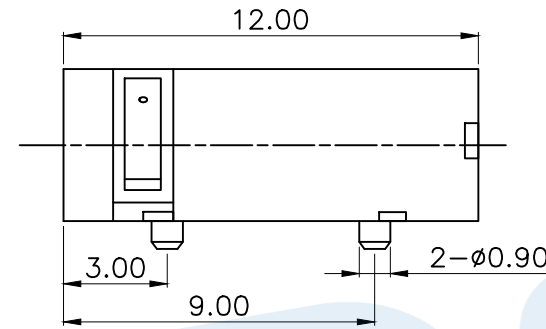
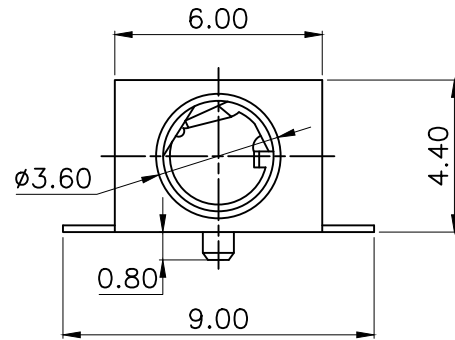


RoHS



P.C.B LAYOUT(Copper-side view)

Rating:0.5A 30V DC  
 Contact Resistance:100 mΩ Max.  
 Operating temperature:-20 ~70  
 Operating force:3-20N  
 Operating Life:5,000cycles

Ⓑ	Terminal		5	Phosphor bronze	Au Plating
Ⓐ	Housing		1	Nylon	Black
NO.	Name	Number	Qty	Materil	Remarks
<b>YUANDI®</b> Yuandi Electronics Co, Ltd					

design	date	name	PHONE JACKES
Review	date	model	PJ-327B
Approved	date		

Drawing number:	Proportion	1:1	unit	mm	gape number	A4
-----------------	------------	-----	------	----	-------------	----

modify Review Approved Tolerance not specified