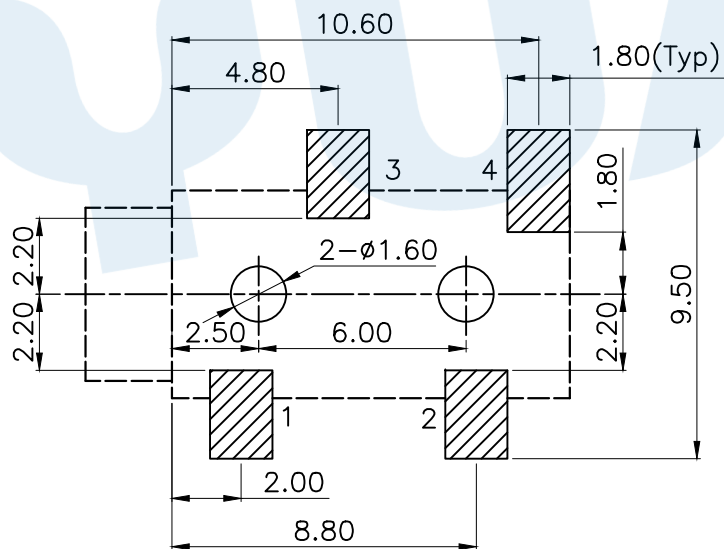
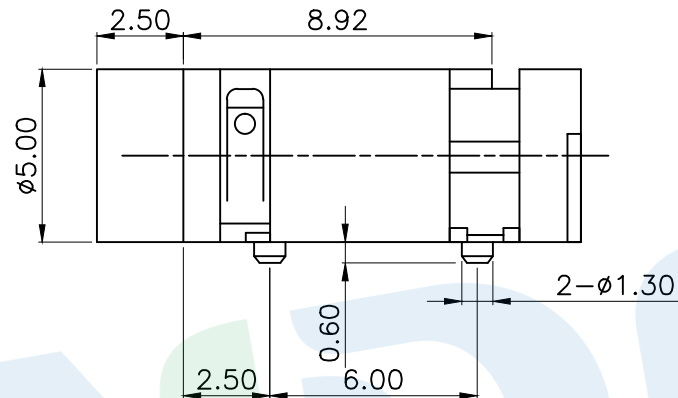
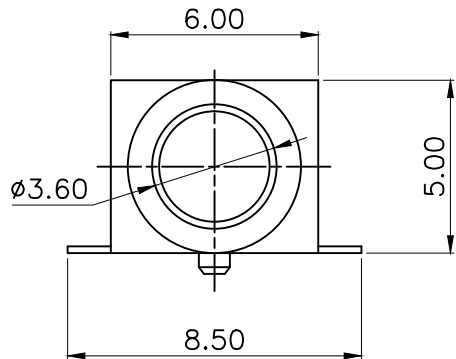


RoHS



P.C.B LAYOUT(Copper-side view)

Model NO	PJ-327C-A	PJ-327C-B	PJ-327C-C
Schematic			

Rating:0.5A 30V DC
 Contact Resistance:100 mΩ Max.
 Operating temperature:-20 ~70
 Operating force:3-20N
 Operating Life:5,000cycles

Ⓑ	Terminal		5	Phosphor bronze	Ag Plating
Ⓐ	Housing		1	Nylon	Black
NO.	Name	Number	Qty	Materil	Remarks
YUANDI Yuandi Electronics Co, Ltd					
design	date	name	PHONE JACKES		
Review	date	model	PJ-327C		
Approved	date				
Drawing number:					
angle	±2'				
10~30	±0.30				
5~10	±0.20				
~ 5	±0.10				
modify	Review	Approved	Tolerance not specified	Proportion	1:1
unit	mm	gape number	A4		