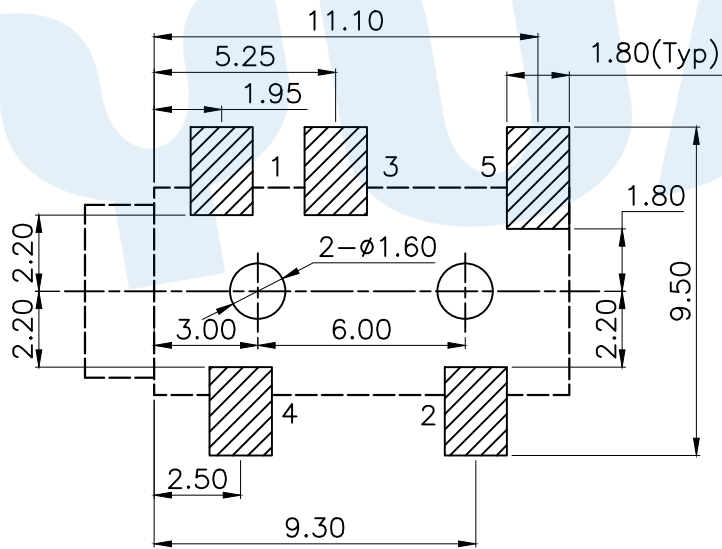
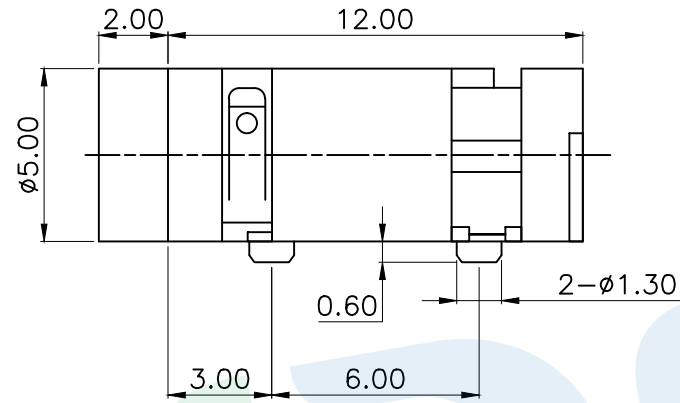
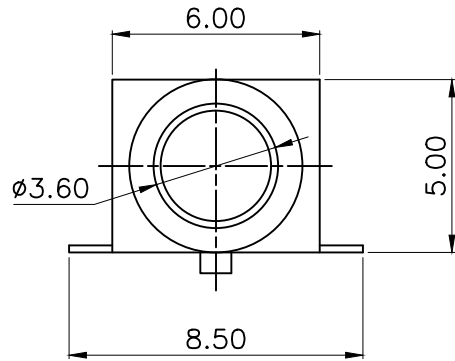


RoHS



P.C.B LAYOUT(Copper-side view)

Model NO	PJ-327E-A	PJ-327E-B
Schematic		
Model NO	PJ-327E-C	PJ-327E-D
Schematic		

Rating:0.5A 30V DC
 Contact Resistance:100 mΩ Max.
 Operating temperature:-20 ~70
 Operating force:3-20N
 Operating Life:5,000cycles

Ⓑ	Terminal		5	Phosphor bronze	Au Plating
Ⓐ	Housing		1	Nylon	Black
NO.	Name	Number	Qty	Materil	Remarks
YUANDI® Yuandi Electronics Co, Ltd					
design	date	name	PHONE JACKES		
Review	date	model	PJ-327E		
Approved	date	Drawing number:			
angle	±2'	Tolerance not specified			
10~30	±0.30	Proportion 1:1			
5~10	±0.20	unit mm			
~ 5	±0.10	gape number			