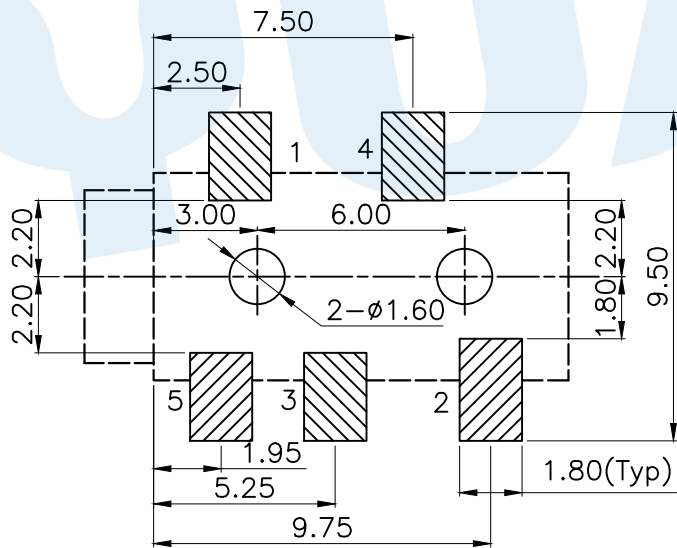
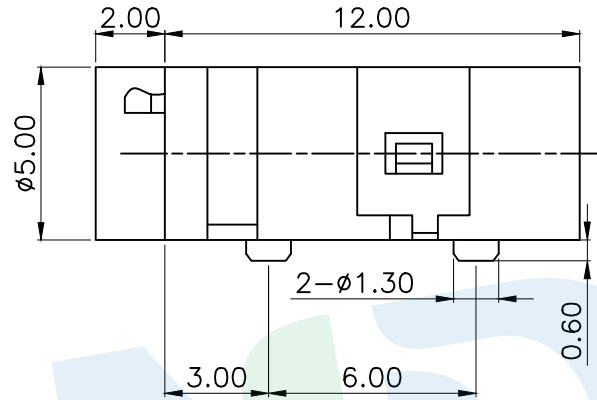
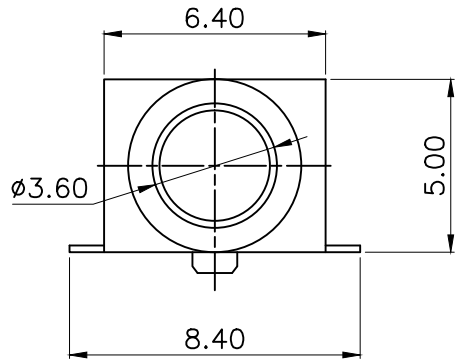


RoHS



P.C.B LAYOUT(Copper-side view)

Model NO	PJ-327F-A	PJ-327F-B	PJ-327F-C
Schematic			

Rating:0.5A 30V DC  
 Contact Resistance:100 mΩ Max.  
 Operating temperature:-20 ~70  
 Operating force:3-20N  
 Operating Life:5,000cycles

NO.	Name	Number	Qty	Materil	Remarks
Ⓑ	Terminal		5	Phosphor bronze	Ag Plating
Ⓐ	Housing		1	Nylon	Black

**YUANDI**® Yuandi Electronics Co.,Ltd

design	date	name	PHONE JACKES
Review	date	model	PJ-327F
Approved	date		

Drawing number:   
 Proportion 1:1 unit mm gage number A4

modify Review Approved Tolerance not specified